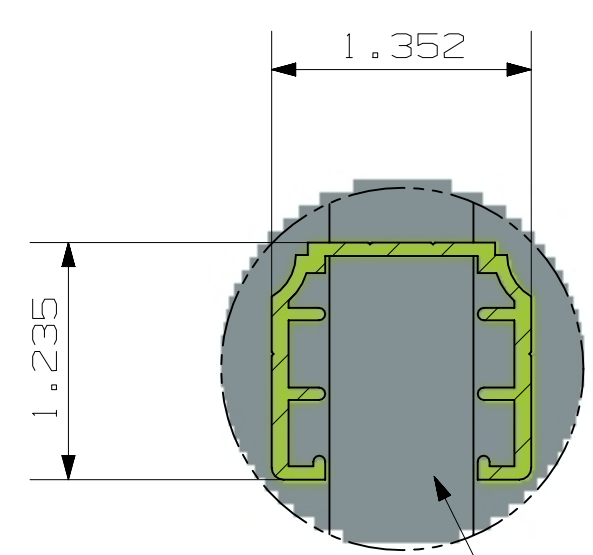
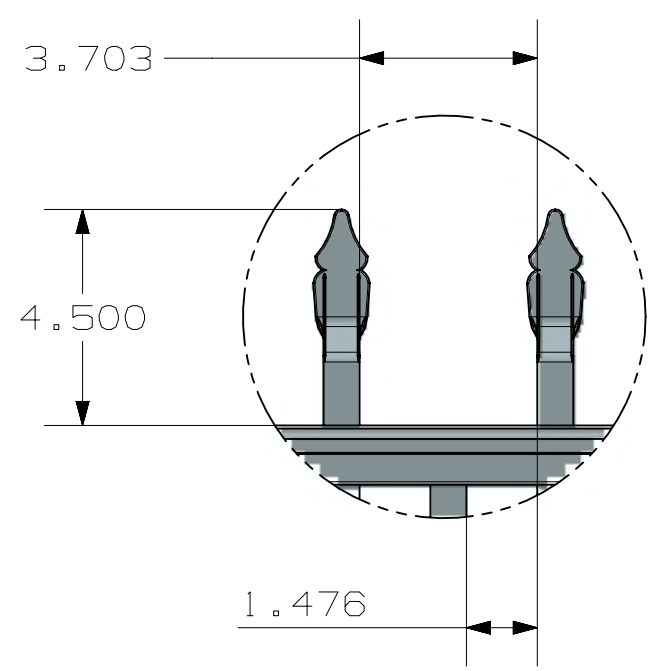
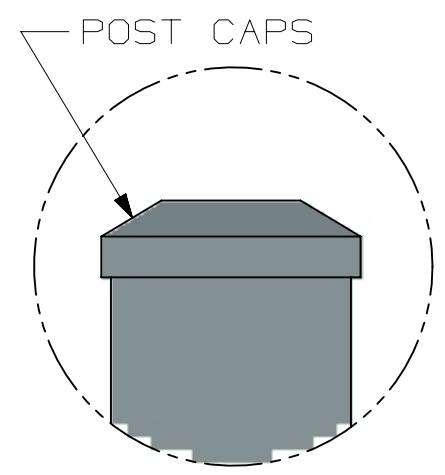


TOLERANCE	TAPE MEASURE ±1/16"	CALIPER ±.010"	DRAWING APPROVED	BOM ENTERED	ALLOY
OVERRIDDEN					COMMENTS

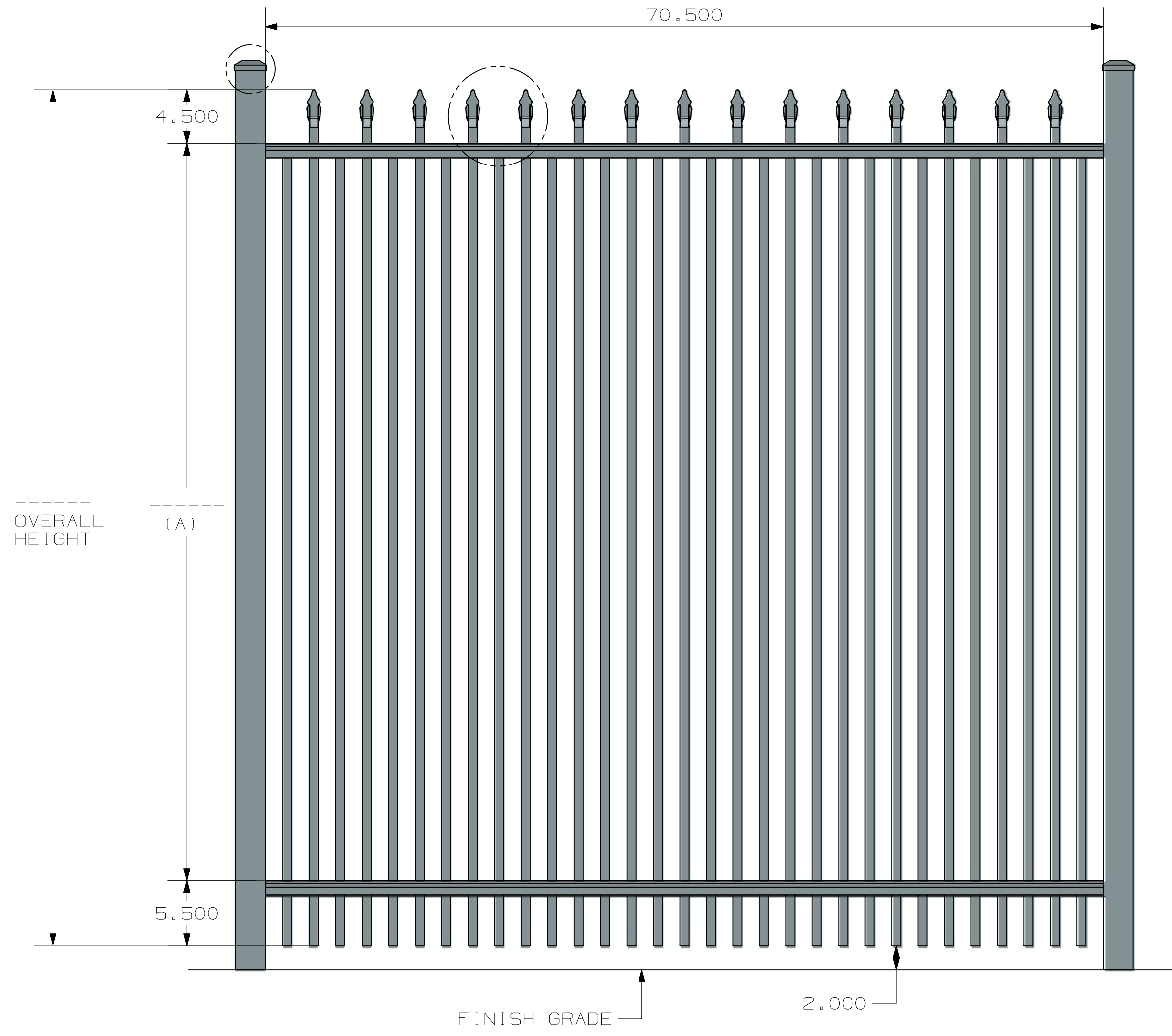
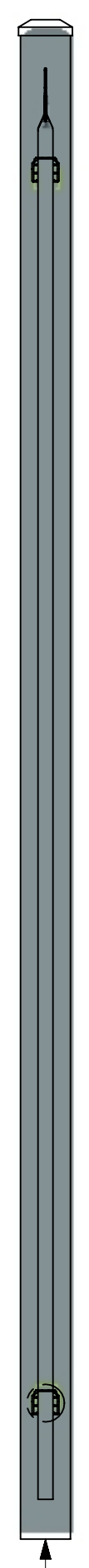
REV	NOTES
-----	-------

A  
B  
C  
D  
E  
F  
G  
H

A  
B  
C  
D  
E  
F  
G  
H



3/4" x 3/4" x .055"  
COMMERCIAL PICKET



OVERALL HEIGHT (A)

FINISH GRADE

- POST OPTIONS
- 2" X 2" X .080 WALL
  - 2" X 2" X .125 WALL
  - 2.5" X 2.5" X .100 WALL
  - 3" X 3" X .125 WALL

HEIGHT	A
3'	26"
3 1/2'	32"
4'	38"
4 1/2'	44"
5'	50"
6'	62"

INSIDE OF POST WIDTH	
NOMINAL	ACTUAL
4'	46.5"
6'	70.5"
8'	94.5"

ULTRAALUMINUM MANUFACTURING, INC  
2124 GRAND COMMERCE DR. HOWELL, MI 48855  
PHONE (800) 656-4420 □ FAX (800) 643-7426

	DATE	12-5-2023
	REV	1
	SHEET	1 OF 1

UAF-101 SPEAR TOP  
STD BOTTOM  
COMMERCIAL SHOP DRAWING  
2-RAIL

UAS-101 STD BOTTOM COMMERCIAL SPEAR TOP 6X6 2 RAIL