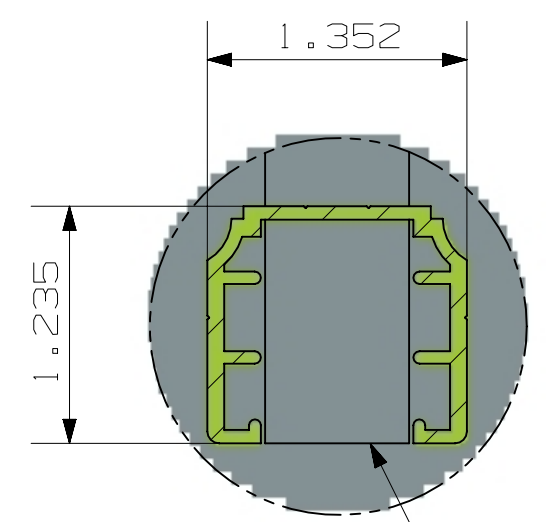
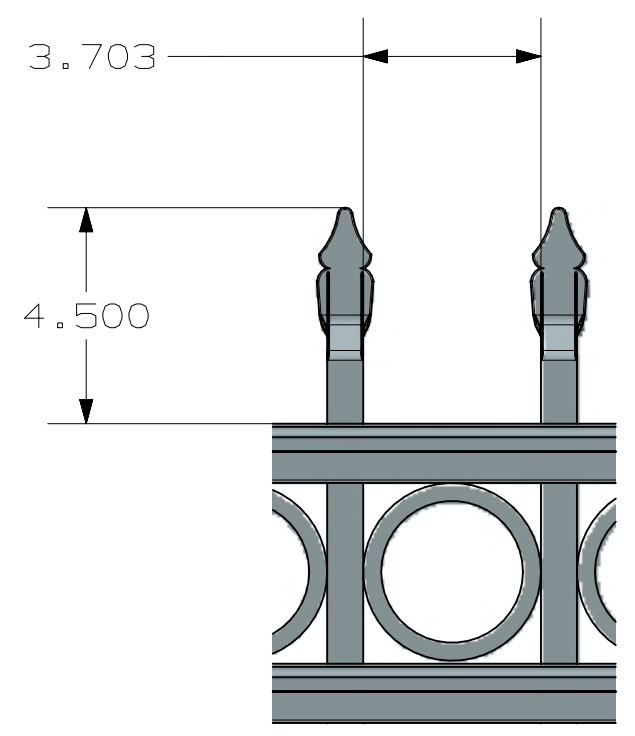
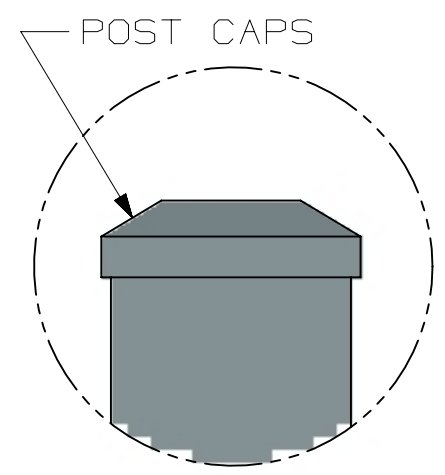


TOLERANCE	TAPE MEASURE ±1/16"	CALIPER ±.010"	DRAWING APPROVED	BOM ENTERED	ALLOY
OVERRIDDEN					COMMENTS

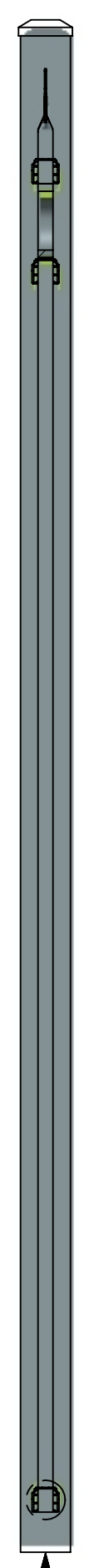
REV	NOTES
-----	-------

A  
B  
C  
D  
E  
F  
G  
H

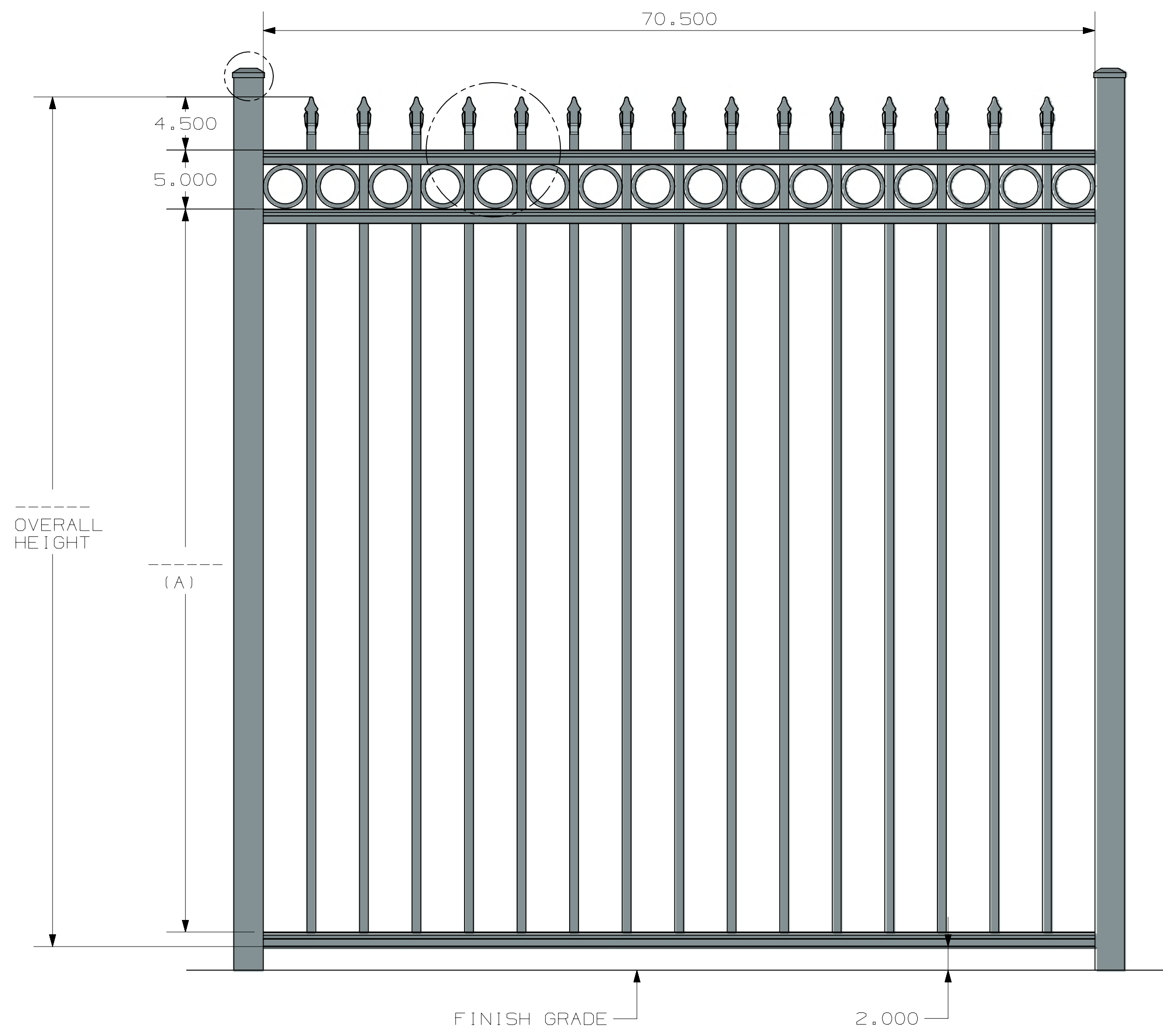
A  
B  
C  
D  
E  
F  
G  
H



3/4" x 3/4" x .055" COMMERCIAL PICKET



POST OPTIONS  
 2" X 2" X .080 WALL  
 2" X 2" X .125 WALL  
 2.5" X 2.5" X .100 WALL  
 3" X 3" X .125 WALL



HEIGHT	A
3'	21 1/4"
3 1/2'	31 1/4"
4'	37 1/4"
4 1/2'	43 1/4"
5'	49 1/4"
6'	61 1/4"

INSIDE OF POST WIDTH	
NOMINAL	ACTUAL
4'	46.5"
6'	70.5"
8'	94.5"

ULTRA ALUMINUM MANUFACTURING, INC  
 2124 GRAND COMMERCE DR. HOWELL, MI 48855  
 PHONE (800) 656-4420 FAX (800) 643-7426

	DATE	12-7-2023
	REV	1
	SHEET	1 OF 1

UAF-100 SPEAR TOP  
 FLUSH BOTTOM  
 COMMERCIAL SHOP DRAWING  
 CIRCLES  
 3-RAIL

UAS-100 FLUSH BOTTOM COMMERCIAL SPEAR TOP CIRCLES 6X6 3 RAIL