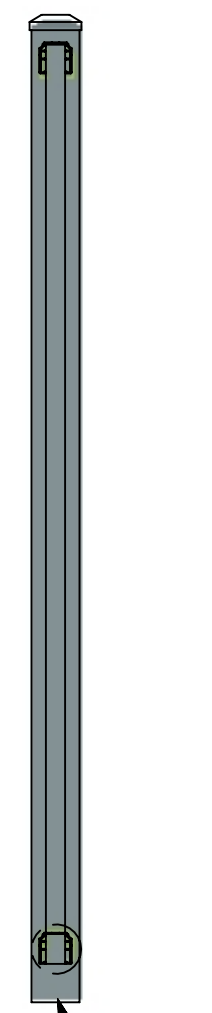
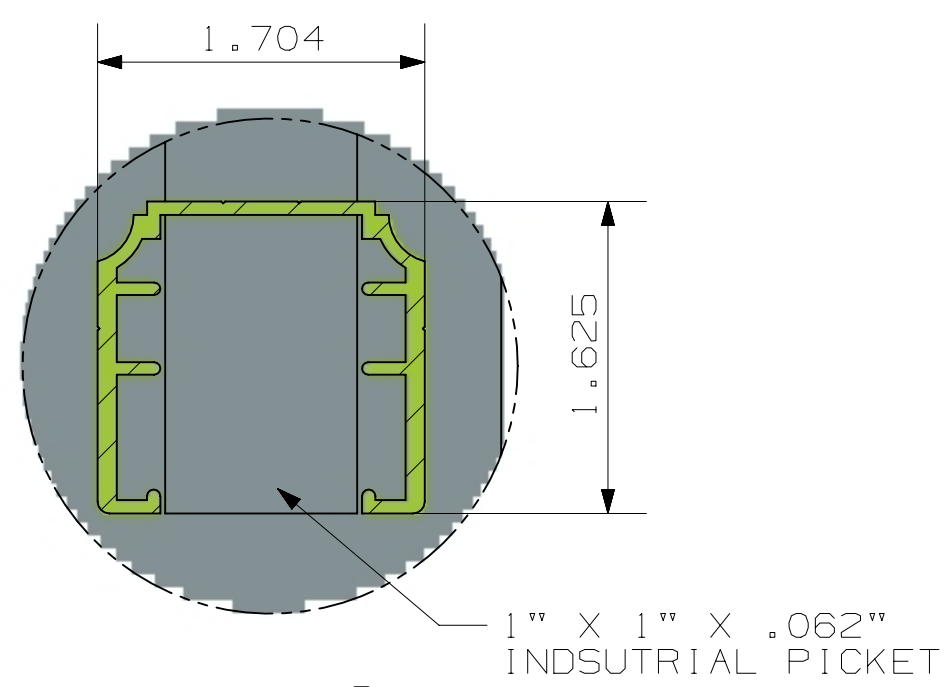
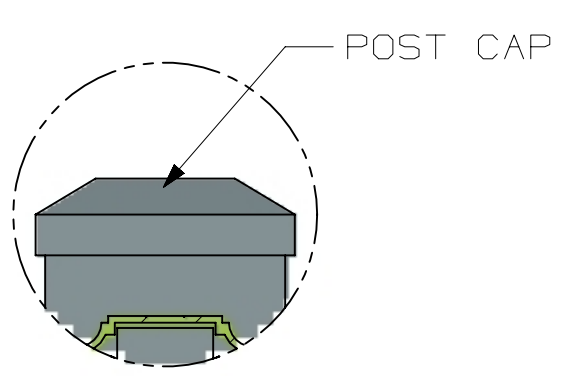
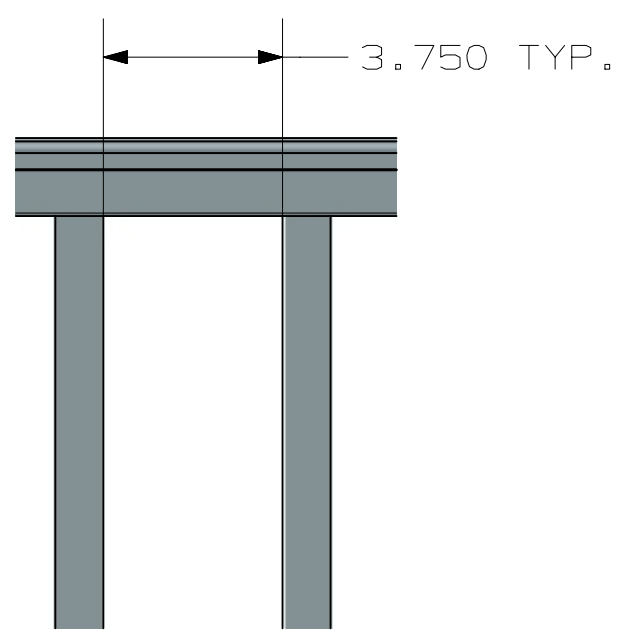


| | | | | | |
|------------|---------------------|----------------|------------------|-------------|----------|
| TOLERANCE | TAPE MEASURE ±1/16" | CALIPER ±.010" | DRAWING APPROVED | BOM ENTERED | ALLOY |
| OVERRIDDEN | | | | | COMMENTS |

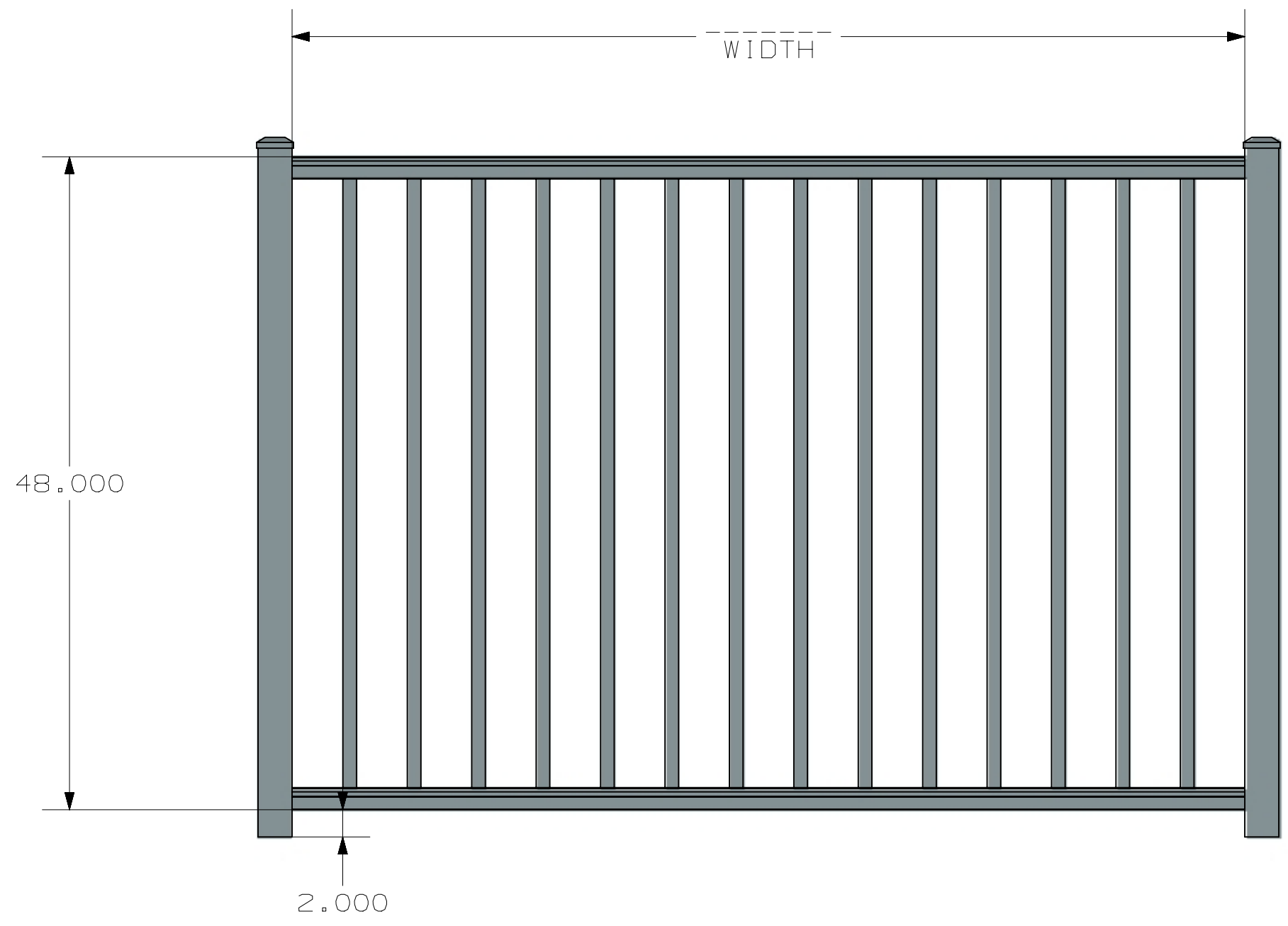
| REV | NOTES |
|-----|-------|
|-----|-------|

A
B
C
D
E
F
G
H

A
B
C
D
E
F
G
H



POST OPTIONS
 2 1/2" X 2 1/2" X .100 WALL
 3" X 3" X .125" WALL
 4" X 4" X .125" WALL



| NOMINAL WIDTH | RAIL LENGTH |
|---------------|-------------|
| 6' | 71 1/2" |
| 8' | 100" |

ULTRA ALUMINUM MANUFACTURING, INC
 2124 GRAND COMMERCE DR. HOWELL, MI 48855
 PHONE (800) 656-4420 □ FAX (800) 643-7426

| | | |
|--|-------|------------|
| | DATE | 11-30-2023 |
| | REV | 2 |
| | SHEET | 1 OF 1 |

UAF - 200
 FLUSH BOTTOM
 INDUSTRIAL SHOP DRAWING
 2-RAIL

UAF-200 FLUSH BOTTOM INDUSTRIAL 6X4 2 RAIL