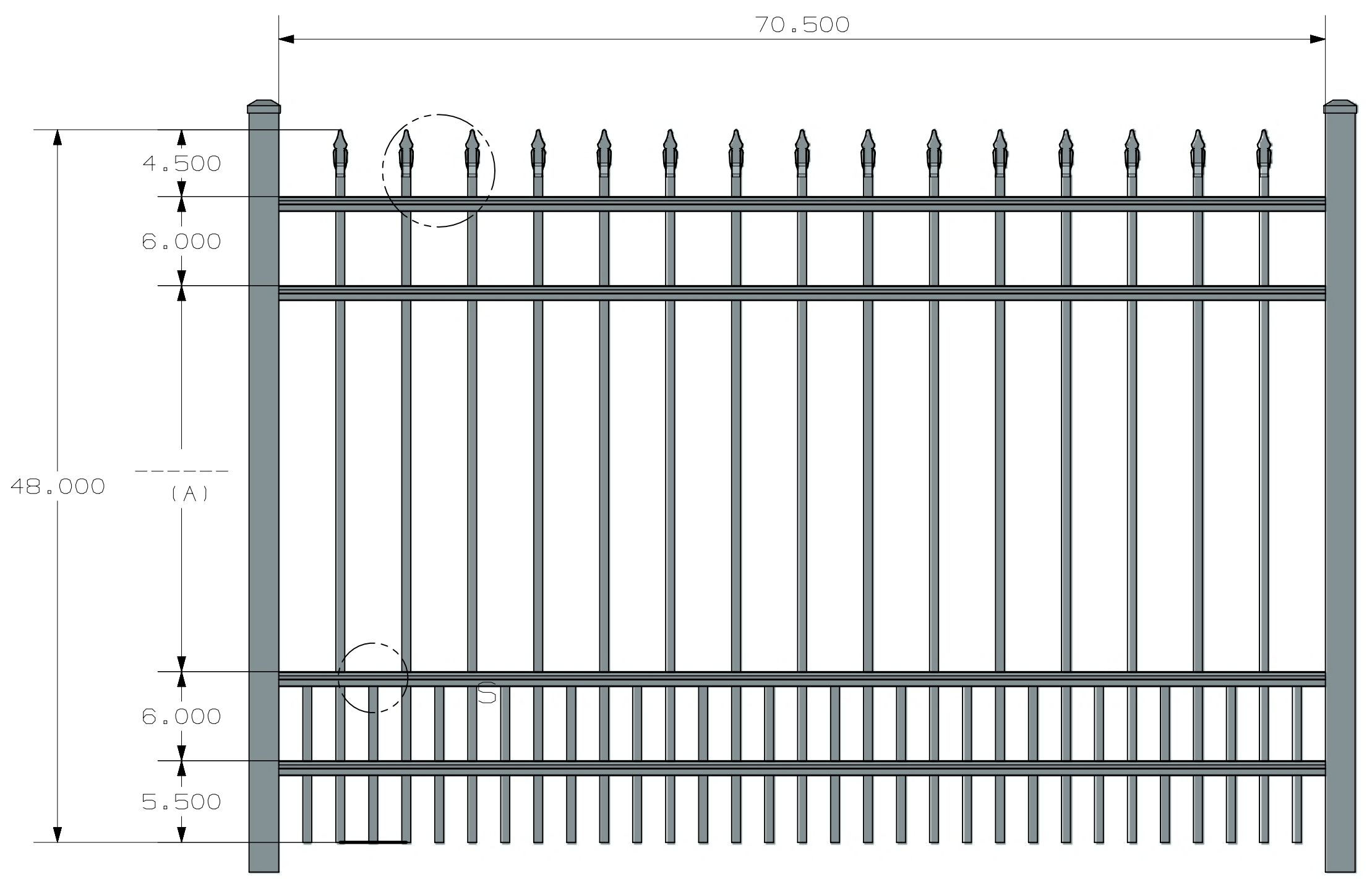
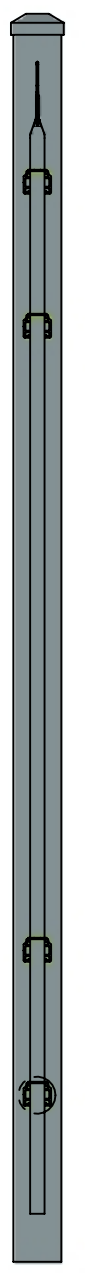
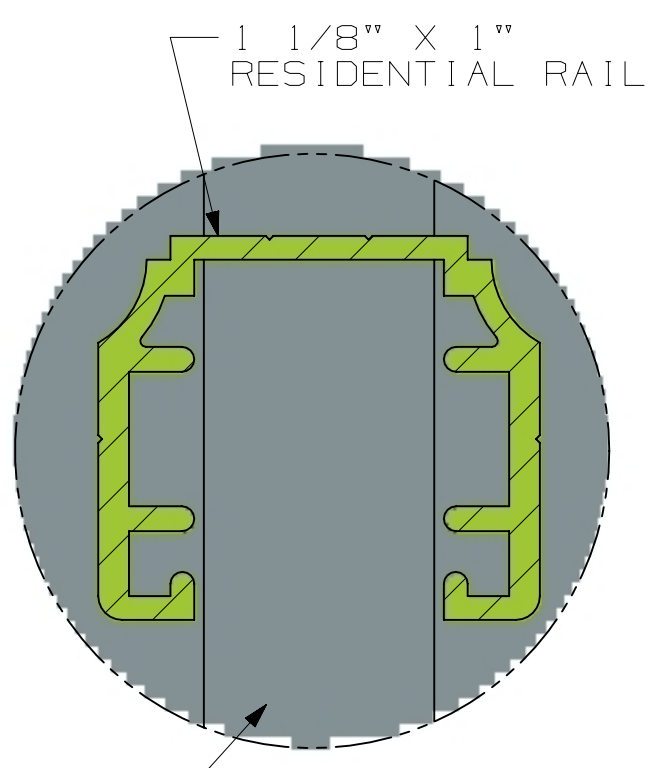
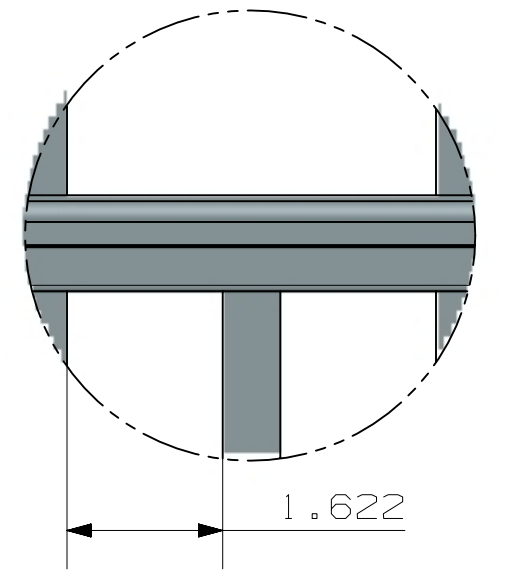
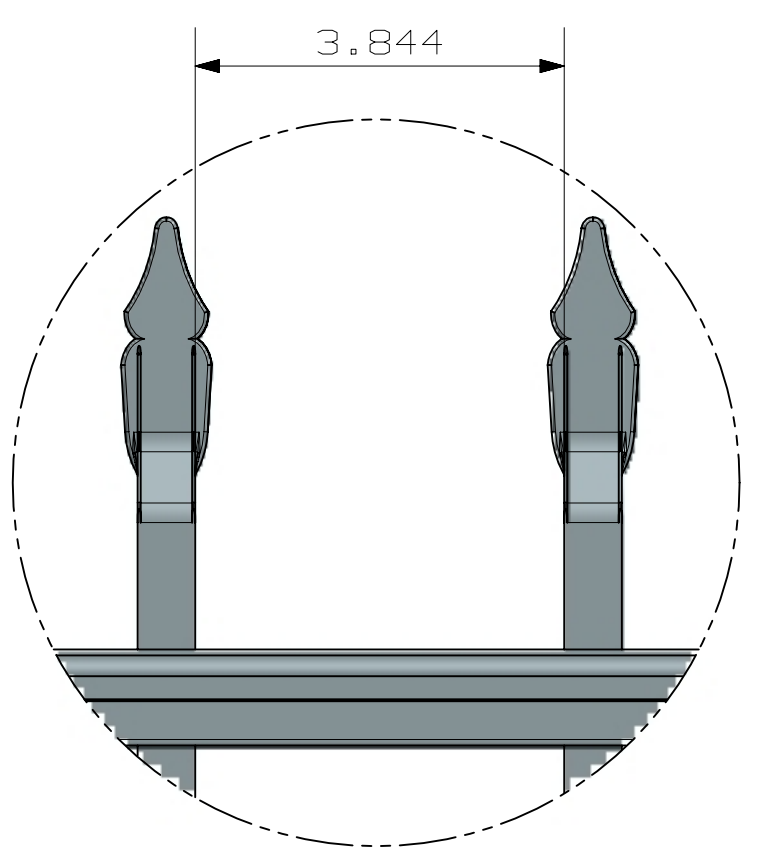


TOLERANCE	TAPE MEASURE ±1/16"	CALIPER ±.010"	DRAWING APPROVED	BOM ENTERED	ALLOY
OVERRIDDEN					COMMENTS

REV	NOTES
-----	-------



HEIGHT	(A)
3'	14"
3 1/2'	20"
4'	26"
4 1/2'	32"
5'	38"
6'	50"

INSIDE OF POST WIDTH	
NOMINAL	ACTUAL
5'	61.6875"
6'	70.5"
7'	83.875"

ULTRA ALUMINUM MANUFACTURING, INC
 2124 GRAND COMMERCE DR. HOWELL, MI 48855
 PHONE (800) 656-4420 FAX (800) 643-7426

	DATE	12-15-2023
	REV	1
	SHEET	1 OF 1

RESIDENTIAL
 UAS - 100 SPEAR TOP
 STD BOTTOM
 SHORT FLAT
 4 - RAIL

UAS-100 SPEAR TOP STD BOTTOM RESIDENTIAL 6X4 SHORT FLAT 4-RAIL