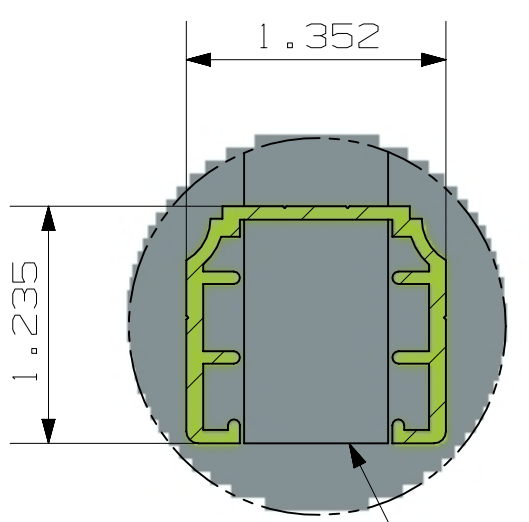
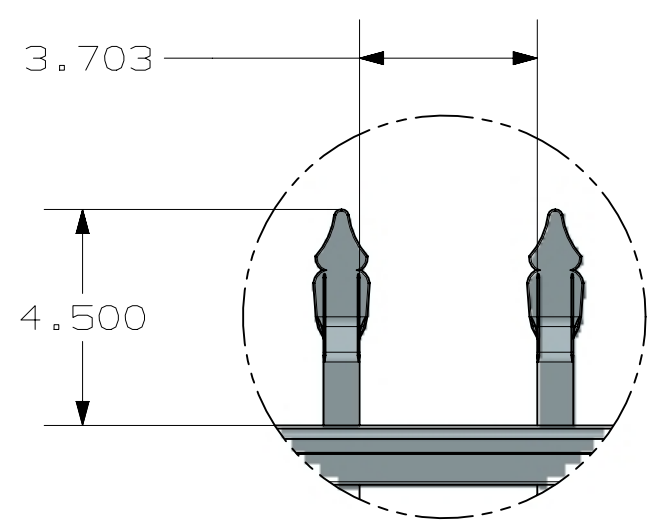
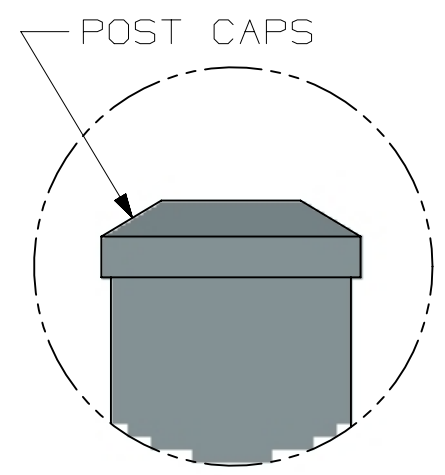


TOLERANCE	TAPE MEASURE ±1/16"	CALIPER ±.010"	DRAWING APPROVED	BOM ENTERED	ALLOY
OVERRIDDEN					COMMENTS

REV	NOTES
-----	-------

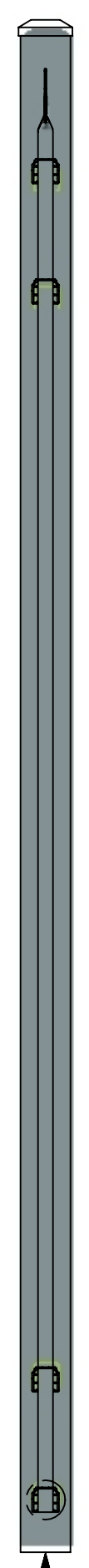


3/4" x 3/4" x .055" COMMERCIAL PICKET

- POST OPTIONS
- 2" X 2" X .080 WALL
  - 2" X 2" X .125 WALL
  - 2.5" X 2.5" X .100 WALL
  - 3" X 3" X .125 WALL

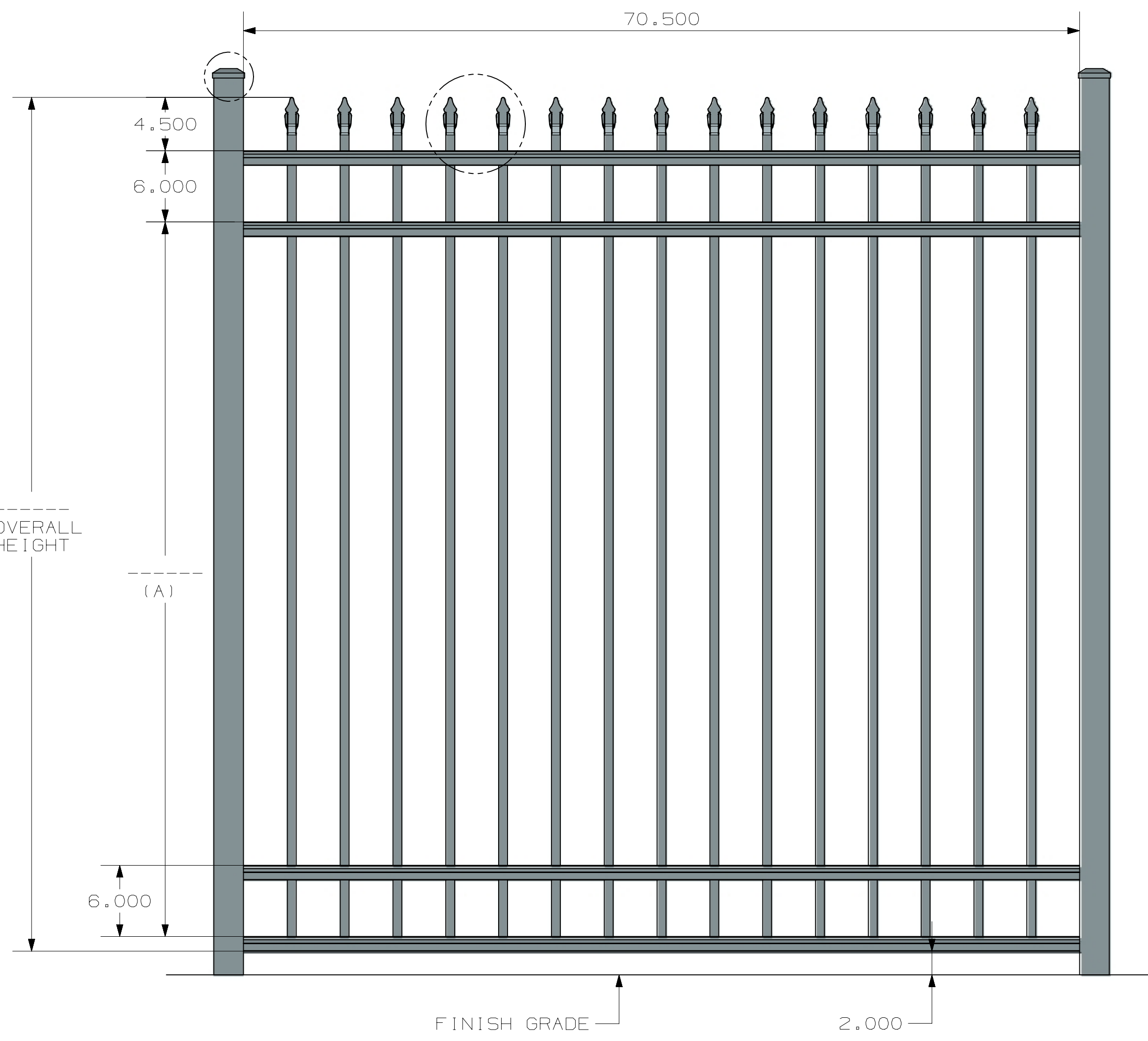
HEIGHT	A
3'	24 1/4"
3 1/2'	30 1/4"
4'	36 1/4"
4 1/2'	42 1/4"
5'	48 1/4"
6'	60 1/4"

INSIDE OF POST WIDTH	
NOMINAL	ACTUAL
4'	46.5"
6'	70.5"
8'	94.5"



OVERALL HEIGHT

(A)



FINISH GRADE

ULTRA ALUMINUM MANUFACTURING, INC  
 2124 GRAND COMMERCE DR. HOWELL, MI 48855  
 PHONE (800) 656-4420 FAX (800) 643-7426

	DATE	12-5-2023
	REV	1
	SHEET	1 OF 1

UAF-100 SPEAR TOP  
 FLUSH BOTTOM  
 COMMERCIAL SHOP DRAWING  
 4-RAIL

UAS-100 FLUSH BOTTOM COMMERCIAL SPEAR TOP 6X6 4 RAIL