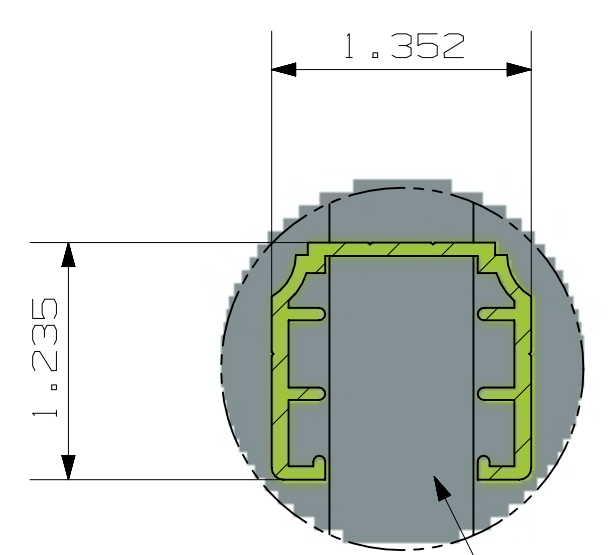
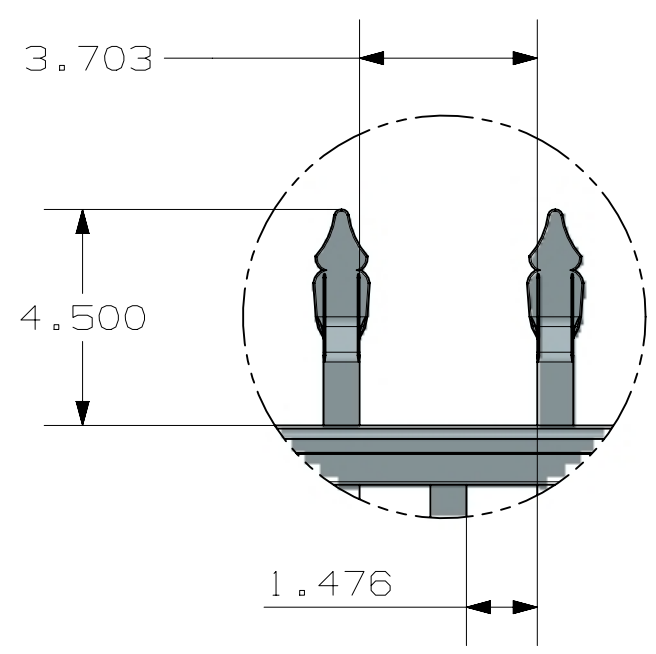
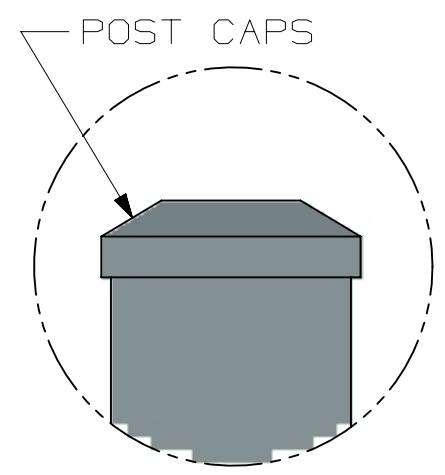


TOLERANCE	TAPE MEASURE ±1/16"	CALIPER ±.010"	DRAWING APPROVED	BOM ENTERED	ALLOY
OVERRIDDEN					COMMENTS

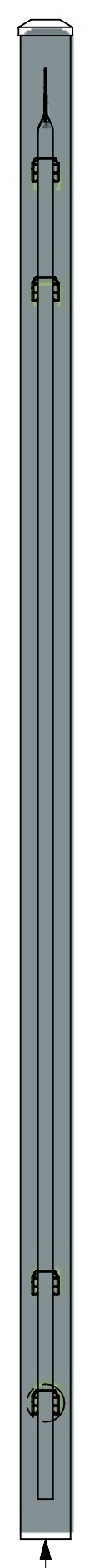
REV	NOTES
-----	-------

A  
B  
C  
D  
E  
F  
G  
H

A  
B  
C  
D  
E  
F  
G  
H



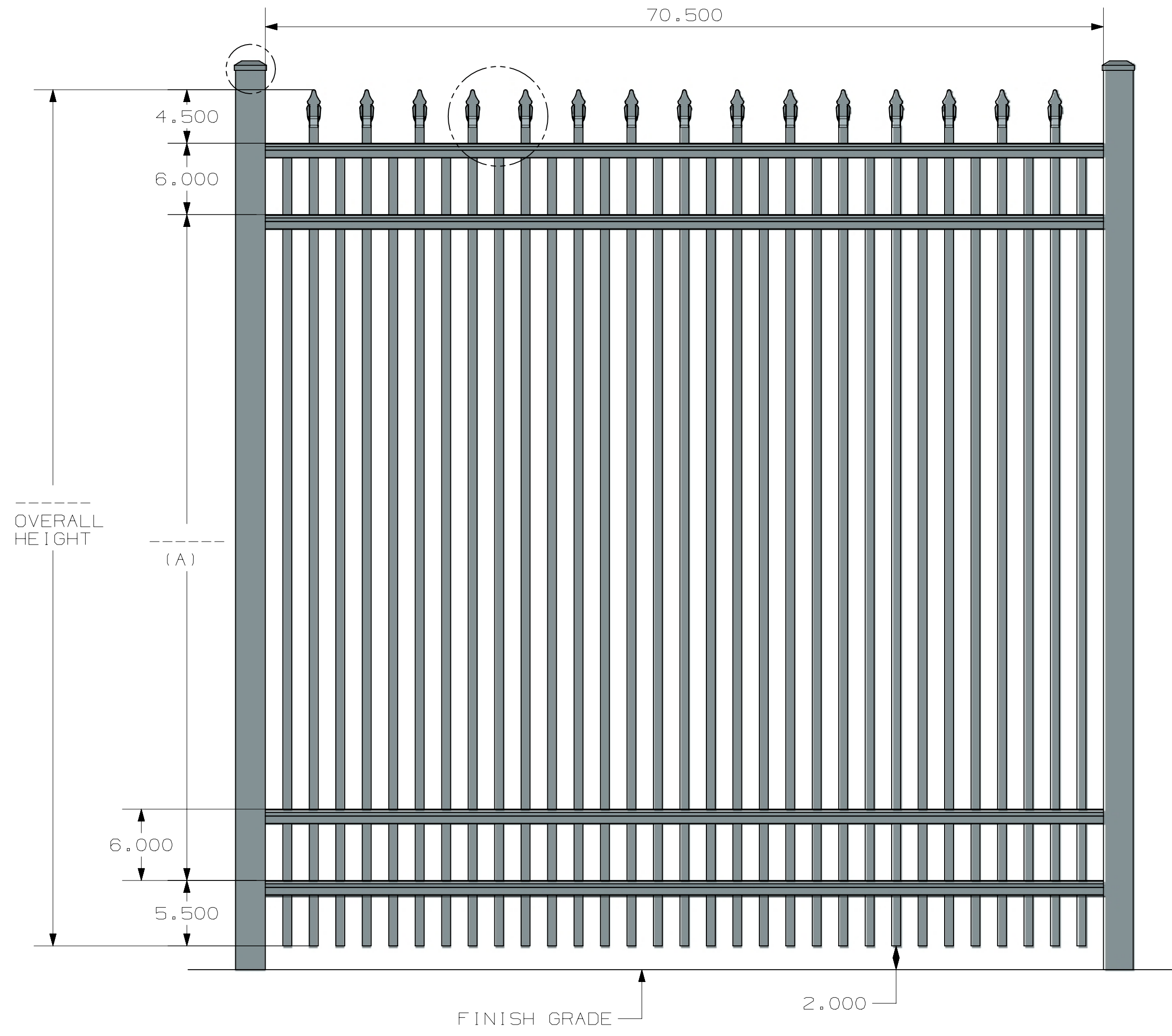
3/4" x 3/4" x .055"  
COMMERCIAL PICKET



POST OPTIONS  
 2" X 2" X .080 WALL  
 2" X 2" X .125 WALL  
 2.5" X 2.5" X .100 WALL  
 3" X 3" X .125 WALL

HEIGHT	A
3'	20"
3 1/2'	26"
4'	32"
4 1/2'	38"
5'	44"
6'	56"

INSIDE OF POST WIDTH	
NOMINAL	ACTUAL
4'	46.5"
6'	70.5"
8'	94.5"



ULTRA ALUMINUM MANUFACTURING, INC  
 2124 GRAND COMMERCE DR. HOWELL, MI 48855  
 PHONE (800) 656-4420 FAX (800) 643-7426

	DATE	12-5-2023
	REV	1
	SHEET	1 OF 1

UAF-101 SPEAR TOP  
 STD BOTTOM  
 COMMERCIAL SHOP DRAWING  
 4-RAIL

UAS-101 STD BOTTOM COMMERCIAL SPEAR TOP 6X6 4 RAIL