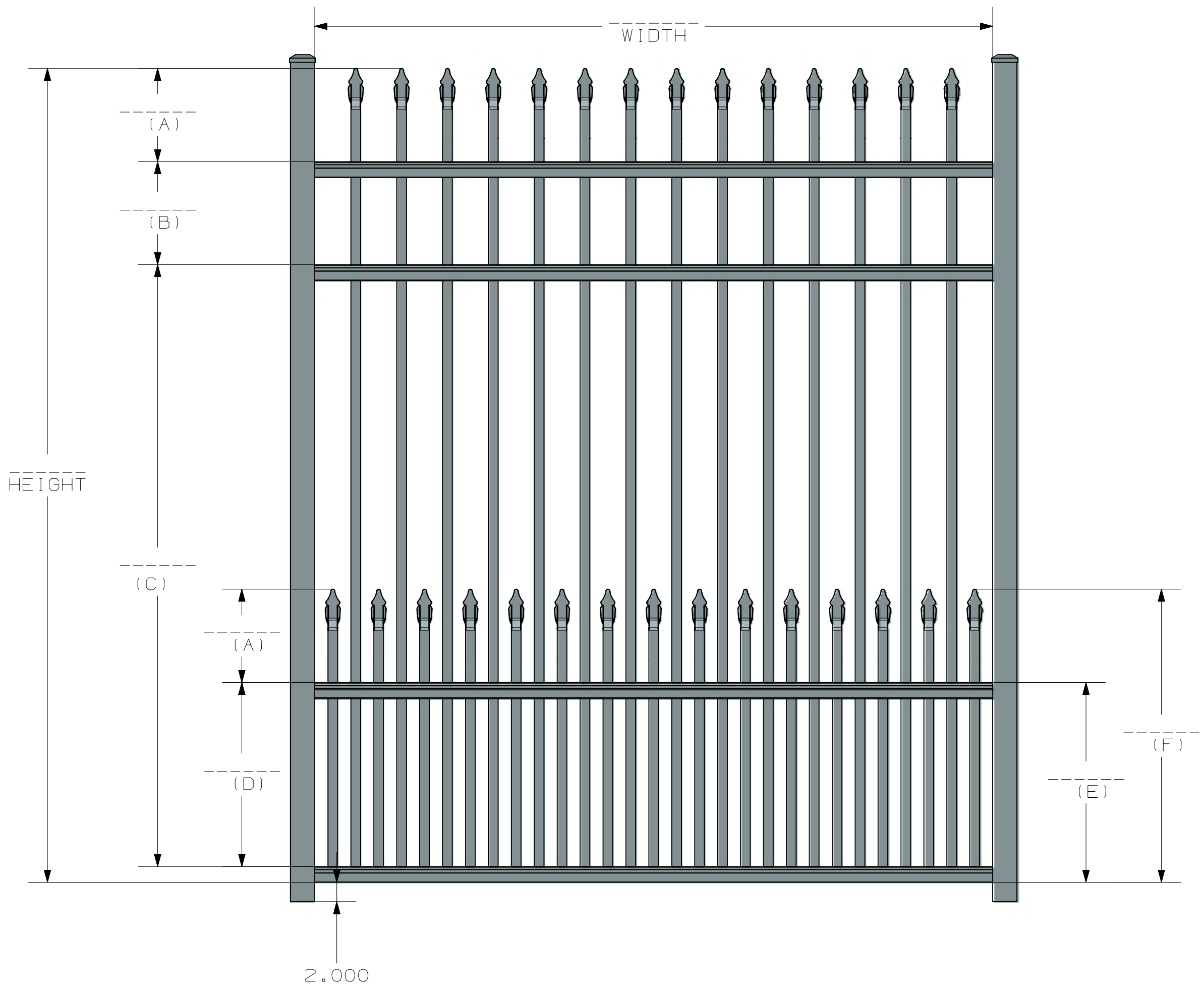
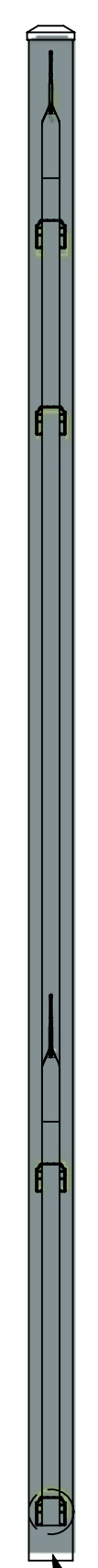
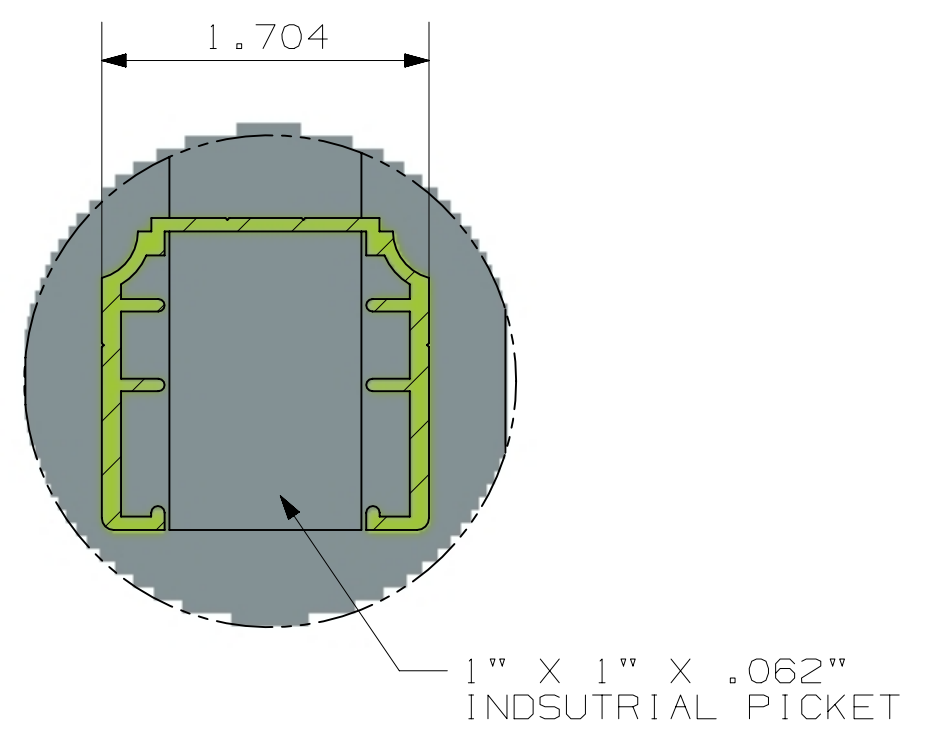
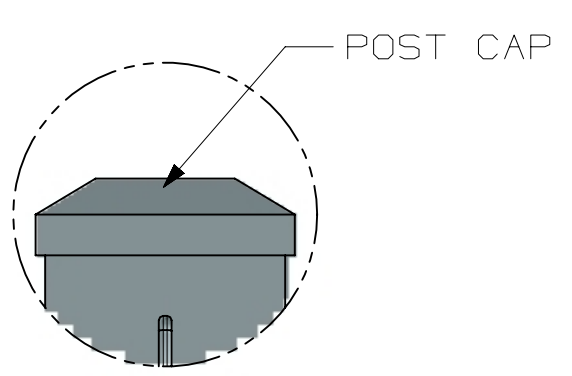
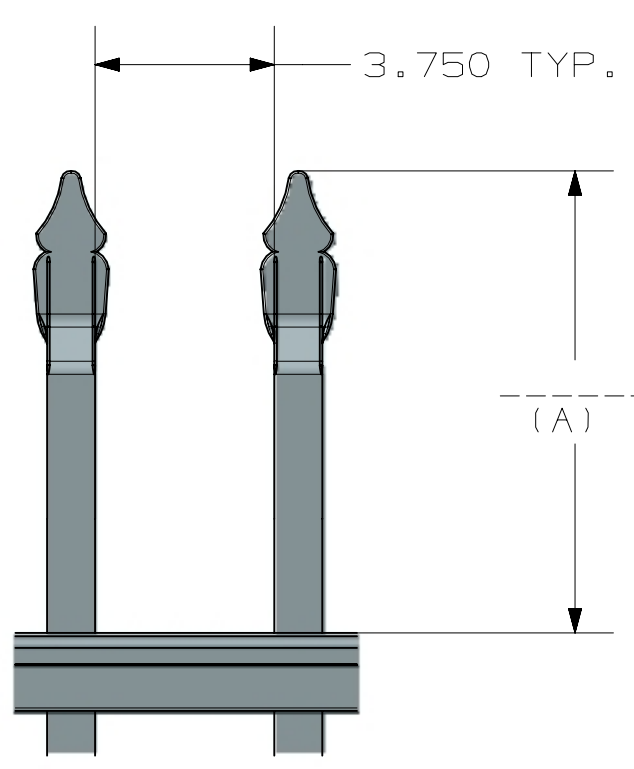


TOLERANCE	TAPE MEASURE ±1/16"	CALIPER ±.010"	DRAWING APPROVED	BOM ENTERED	ALLOY
OVERRIDDEN					COMMENTS

REV	NOTES
-----	-------

A
B
C
D
E
F
G
H

A
B
C
D
E
F
G
H



POST OPTIONS
 2 1/2" X 2 1/2" X .100 WALL
 3" X 3" X .125" WALL
 4" X 4" X .125" WALL

HEIGHT	A	B	C	D	E	F
4'	6 5/8"	7 5/8"	32 1/8"	13"	14 5/8"	21 1/4"
4 1/2'	6 5/8"	7 5/8"	38 1/8"	13"	14 5/8"	21 1/4"
5'	6 5/8"	7 5/8"	44 1/8"	13"	14 5/8"	21 1/4"
6'	6 5/8"	7 5/8"	56 1/8"	13"	14 5/8"	21 1/4"
7'	9 5/8"	10 5/8"	62 1/8"	19"	20 5/8"	30 1/4"
8'	9 5/8"	10 5/8"	74 1/8"	19"	20 5/8"	30 1/4"
9'	12 5/8"	13 5/8"	80 1/8"	25"	26 5/8"	39 1/4"
10'	12 5/8"	13 5/8"	92 1/8"	25"	26 5/8"	39 1/4"

ULTRA ALUMINUM MANUFACTURING, INC
 2124 GRAND COMMERCE DR. HOWELL, MI 48855
 PHONE (800) 656-4420 FAX (800) 643-7426

	DATE	12-12-2023
	REV	1
	SHEET	1 OF 1

NOMINAL WIDTH	RAIL LENGTH
6'	71 1/2"
8'	100"
MAX 90 7/16" IF OVER 8' TALL	

UAS-100 SPEAR TOP
 FLUSH BOTTOM
 INDUSTRIAL SHOP DRAWING
 SHORT SPEAR
 4-RAIL
 UAS-100 FLUSH BOTTOM INDUSTRIAL SPEAR TOP SHORT SPEAR 6X7 4 RAIL