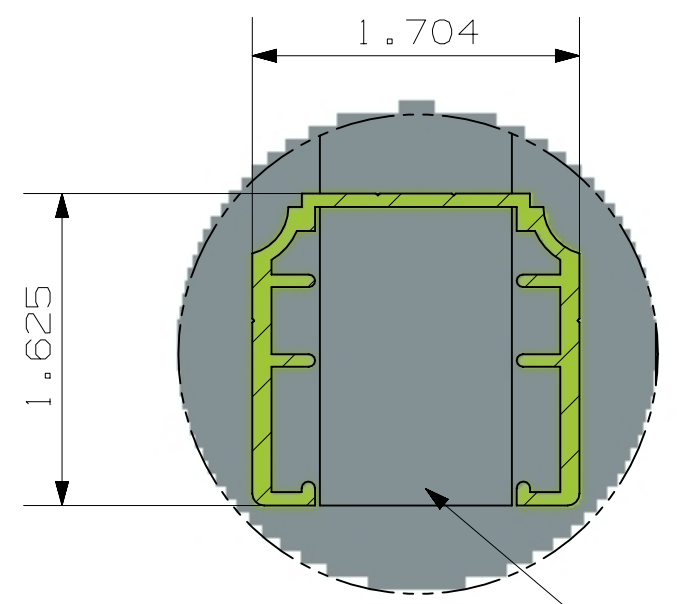
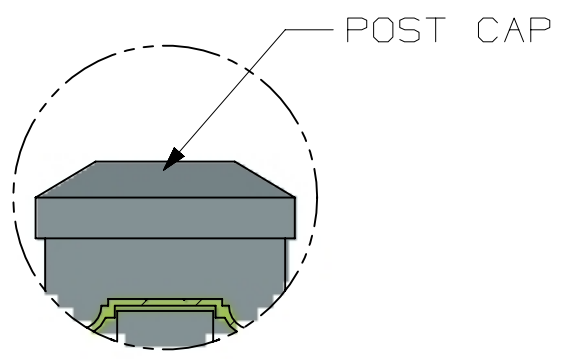
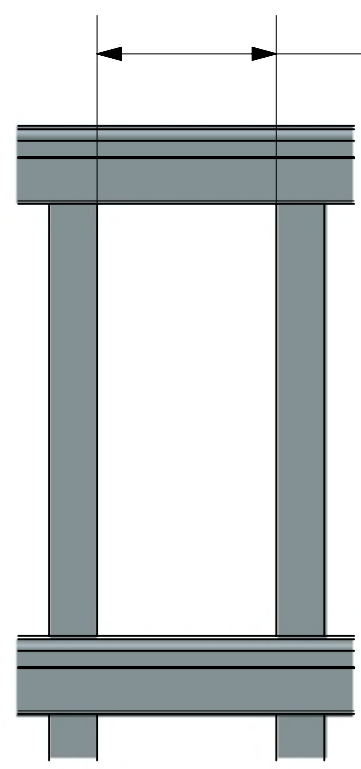


TOLERANCE	TAPE MEASURE ±1/16"	CALIPER ±.010"	DRAWING APPROVED	BOM ENTERED	ALLOY
OVERRIDDEN					COMMENTS

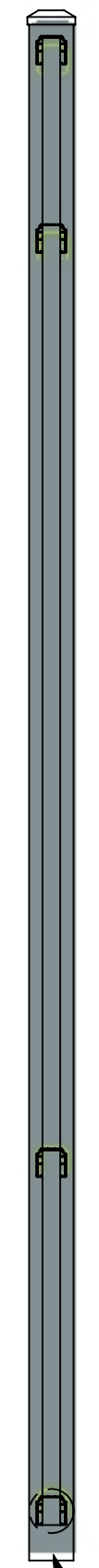
REV	NOTES
-----	-------

A
B
C
D
E
F
G
H

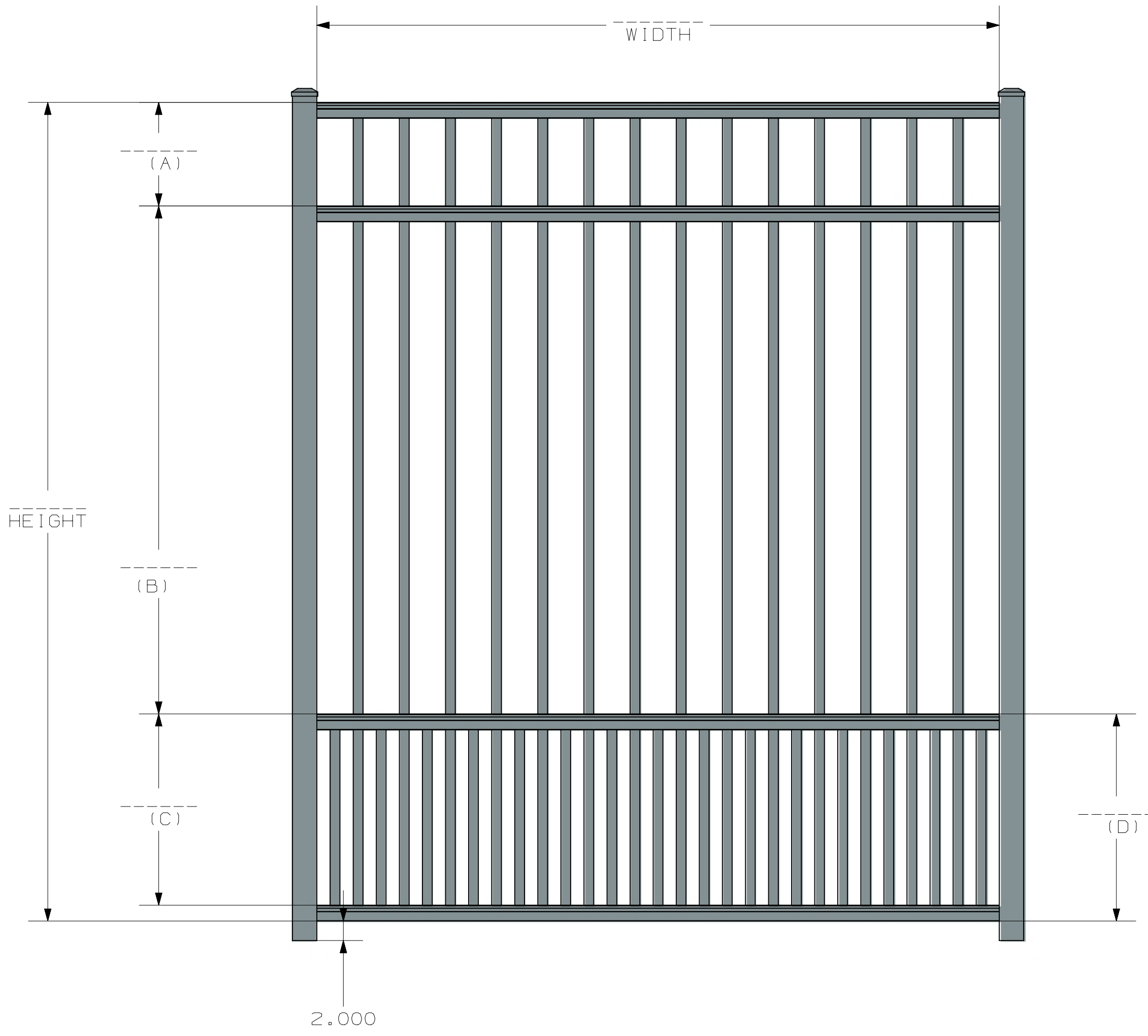
A
B
C
D
E
F
G
H



1" X 1" X .062" INDUSTRIAL PICKET



POST OPTIONS
 2 1/2" X 2 1/2" X .100 WALL
 3" X 3" X .125" WALL
 4" X 4" X .125" WALL



HEIGHT	A	B	C	D
4'	7 5/8"	25 1/8"	13 5/8"	15 1/4"
4 1/2'	7 5/8"	31 1/8"	13 5/8"	15 1/4"
5'	7 5/8"	37 1/8"	13 5/8"	15 1/4"
6'	7 5/8"	49 1/8"	13 5/8"	15 1/4"
7'	10 5/8"	52 1/8"	19 5/8"	21 1/4"
8'	10 5/8"	64 1/8"	19 5/8"	21 1/4"
9'	13 5/8"	67 1/8"	25 5/8"	27 1/4"
10'	13 5/8"	79 1/8"	25 5/8"	27 1/4"

NOMINAL WIDTH	RAIL LENGTH
6'	71 1/2"
8'	100"
MAX 90 7/16" IF OVER 8' TALL	

ULTRA ALUMINUM MANUFACTURING, INC
 2124 GRAND COMMERCE DR. HOWELL, MI 48855
 PHONE (800) 656-4420 FAX (800) 643-7426

	DATE	11-30-2023
	REV	2
	SHEET	1 OF 1

UAF-200
 FLUSH BOTTOM
 INDUSTRIAL SHOP DRAWING
 SHORT FLAT
 4-RAIL
 UAF-200 FLUSH BOTTOM INDUSTRIAL 6X7 SHORT FLAT 4 RAIL