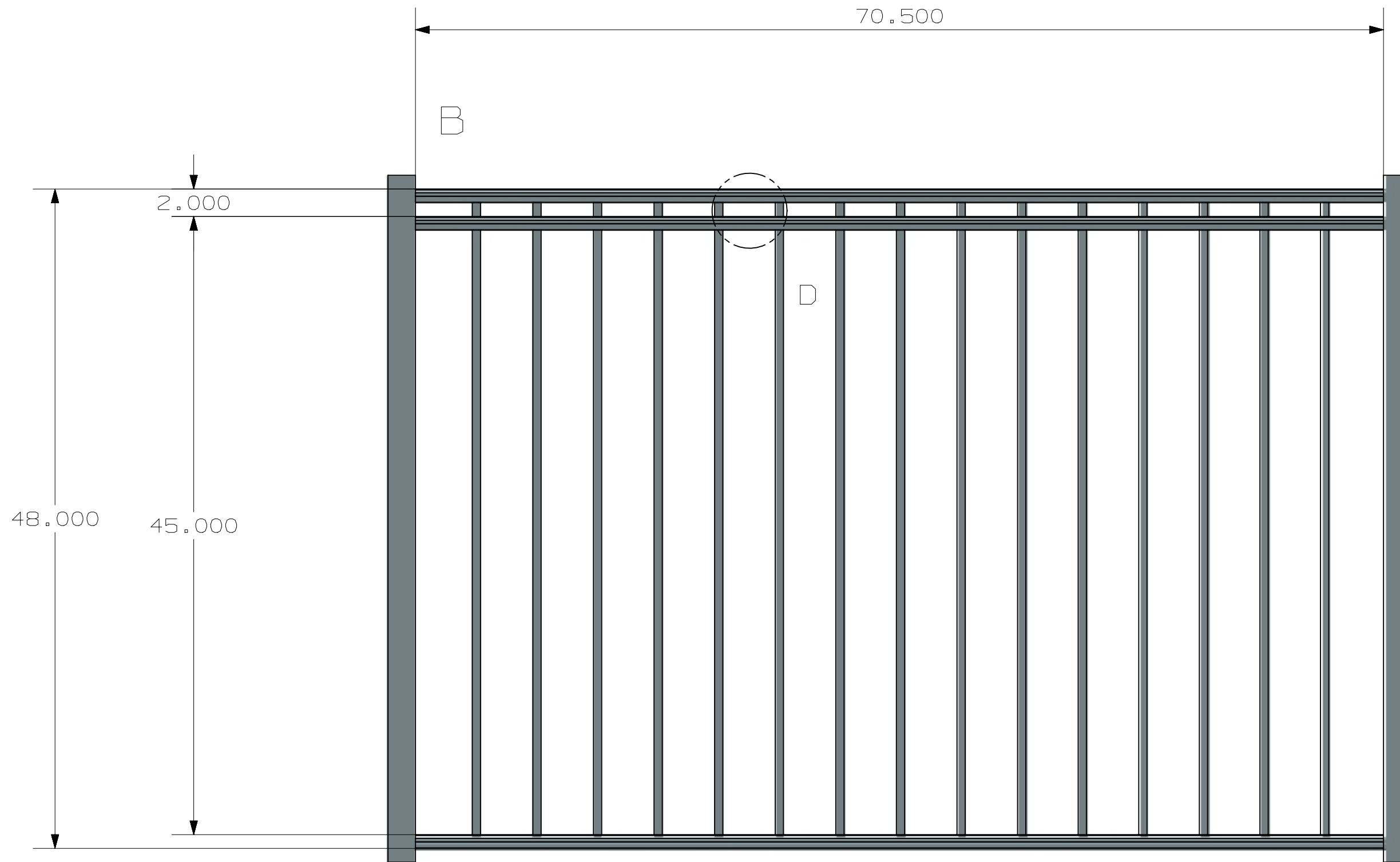
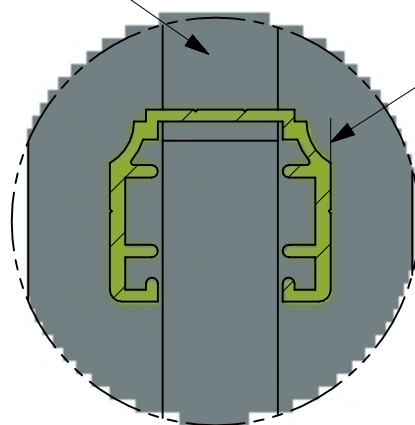


SECTION B-B

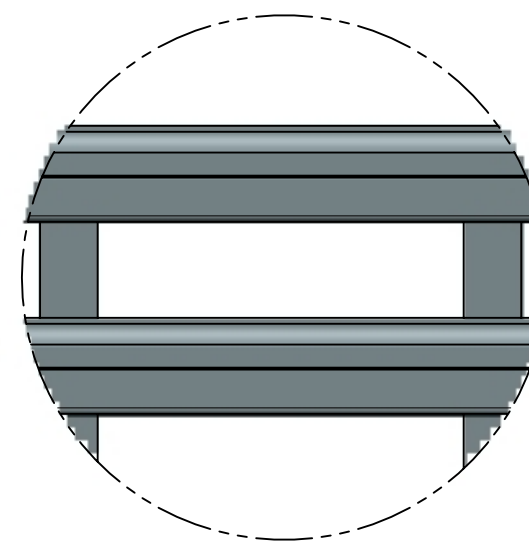


5/8" X 5/8"
RESIDENTIAL PICKET



DETAIL C
SCALE 1:1

1 1/8" X 1"
RESIDENTIAL RAIL



DETAIL D
SCALE 1:2

3D CAD MASTER PART NAME:

ALL DIMENSIONS IN INCHES

		ULTRA ALUMINUM MANUFACTURING, INC. 2124 GRAND COMMERCE DR. HOWELL, MI 48855 PHONE (800) 656-4420 FAX (800) 646-7429	
FIRST ISSUED		TITLE	
DRAWN BY		UAB-200 BOCA FLAT TOP FLUSH BOTTOM 48X6	
CHECKED BY		SIZE	DRG NO.
APPROVED BY		C	UAB-200 FLAT TOP FLUSH BOTTOM BOCA
		SCALE 1:1	REV <input checked="" type="checkbox"/>
			SHEET 1 OF 1