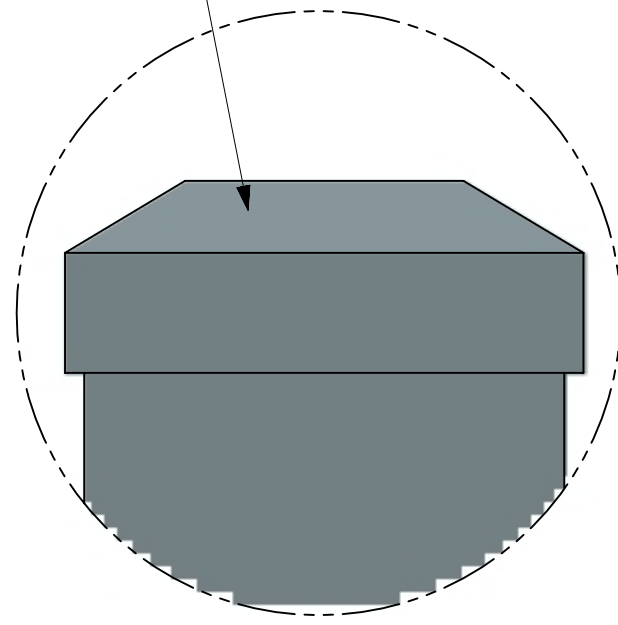
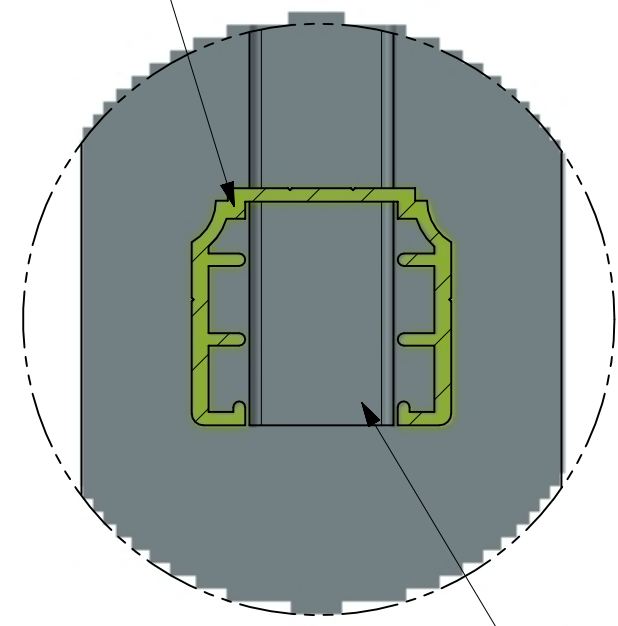


POST CAP



DETAIL B
SCALE 1:1

1.375X1.25
COMMERCIAL RAIL



DETAIL C
SCALE 1:1

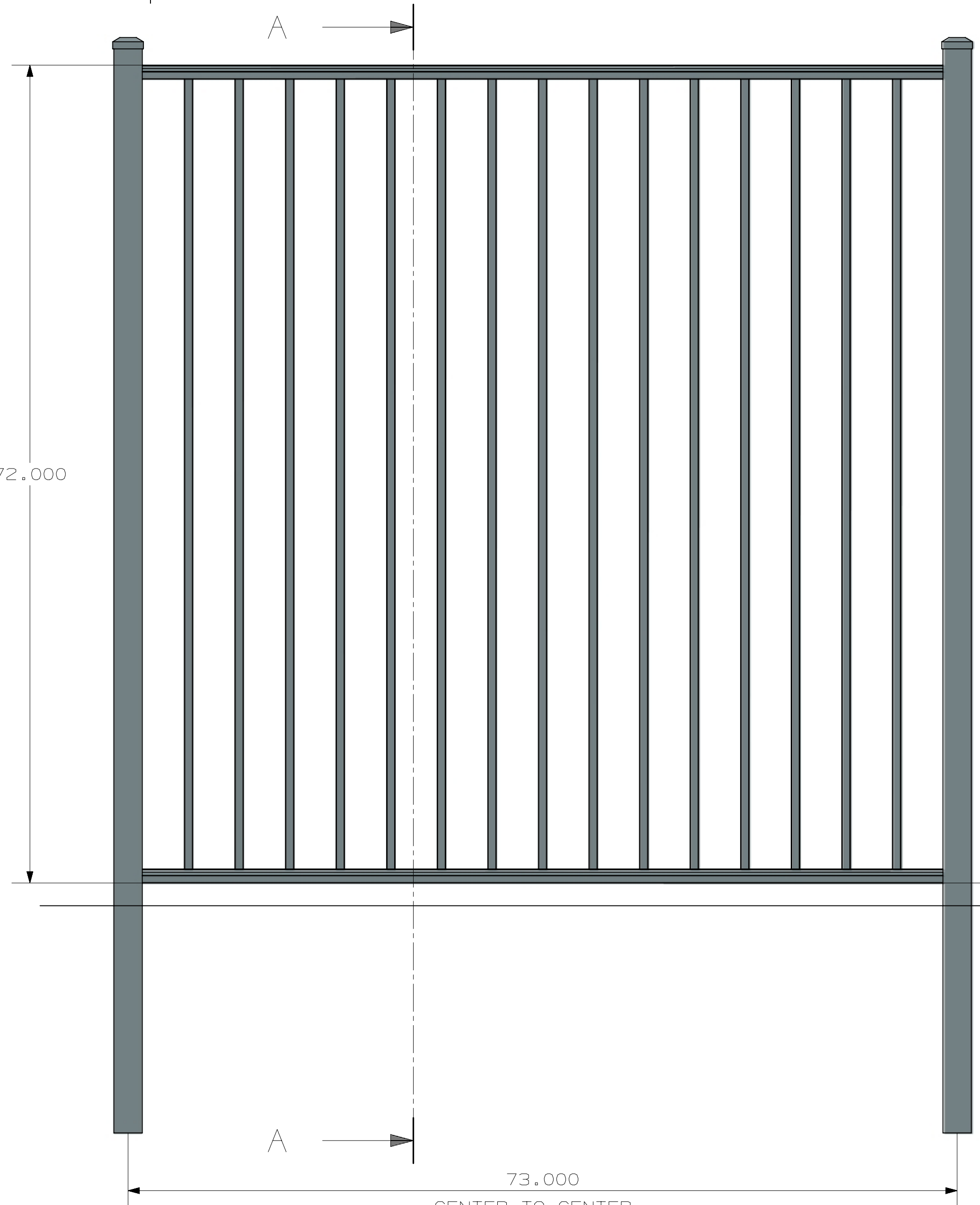
3/4" X 3/4" X .055 WALL
COMMERCIAL PICKET



SECTION A-A

POST OPTIONS
 2" X 2" X .080" WALL
 2" X 2" X .125" WALL
 2 1/2" X 2 1/2" X .100" WALL
 3" X 3" X .125" WALL

72.000



73.000

CENTER TO CENTER
AS SHOWN WITH
2 1/2" X 2 1/2" POST

2.000

HEIGHT
3'
3 1/2'
4'
4 1/2'
5'
6'

3D CAD MASTER PART NAME:

ALL DIMENSIONS IN INCHES



ULTRA ALUMINUM MANUFACTURING, INC.
 2124 GRAND COMMERCE DR. HOWELL, MI 48855
 PHONE (800) 656-4420 FAX (800) 646-7429

FIRST ISSUED
 DRAWN BY
 CHECKED BY
 APPROVED BY

TITLE
 UAF-200 FLAT TOP FLUSH BOTTOM
 2 RAIL
 COMMERCIAL

SCALE 1:1

SIZE DRG NO.
 C UAF-200 FLAT TOP FLUSH BOTTOM 2-RAIL COMMERCIAL 6X6
 REV
 SHEET 1 OF 1