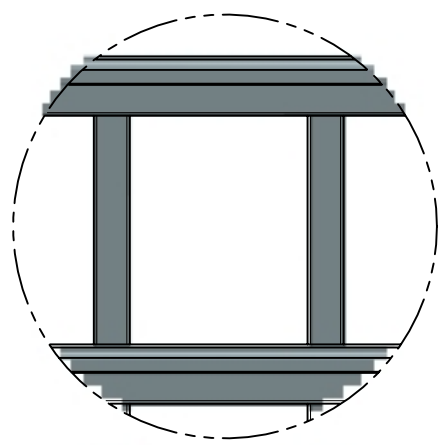
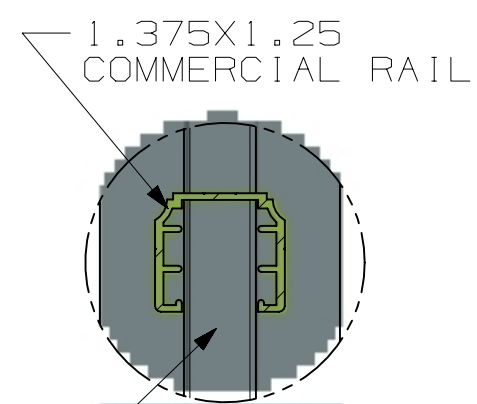


DETAIL B  
SCALE 1:2



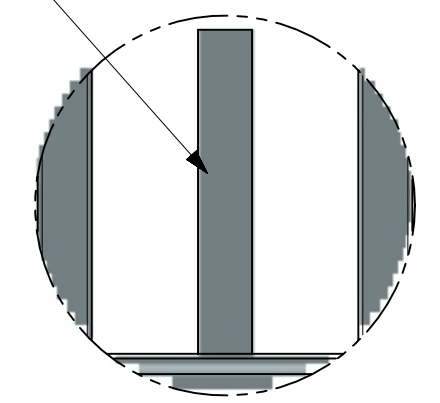
DETAIL D  
SCALE 1:4



DETAIL C  
SCALE 1:2

3/4" X 3/4" X .055 WALL  
COMMERCIAL PICKET

16" COMMERCIAL  
SHORT PLUG TOP PICKET



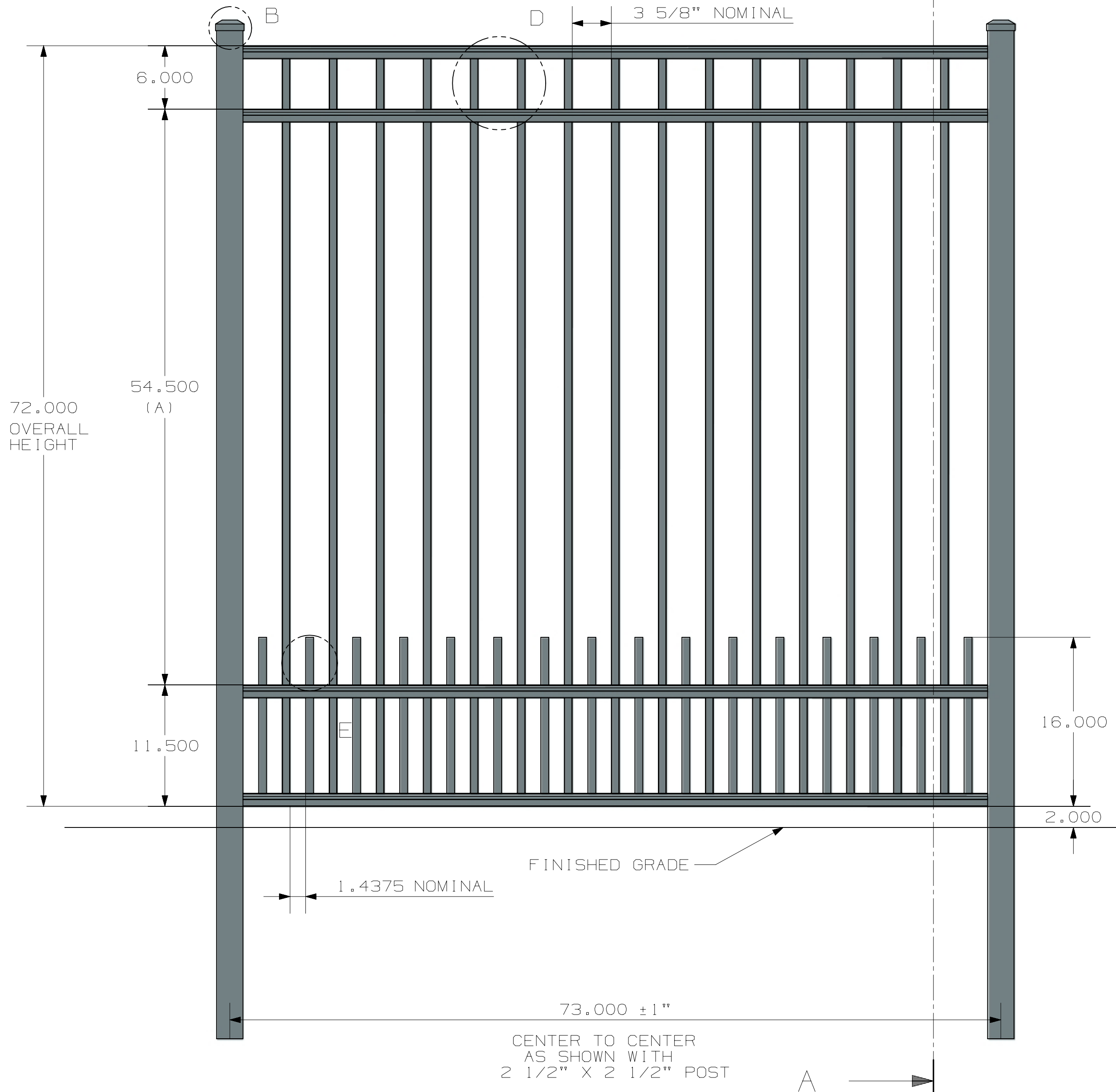
DETAIL E  
SCALE 3:8

SECTION A-A

- POST OPTIONS
- 2" X 2" X .080" WALL
  - 2" X 2" X .125" WALL
  - 2 1/2" X 2 1/2" X .100" WALL
  - 3" X 3" X .125" WALL

HEIGHT	A
3'	18 1/2"
3 1/2'	24 1/2"
4'	30 1/2"
4 1/2'	36 1/2"
5'	42 1/2"
6'	54 1/2"

3D CAD MASTER PART NAME:



73.000 ± 1"  
CENTER TO CENTER  
AS SHOWN WITH  
2 1/2" X 2 1/2" POST



ULTRA ALUMINUM MANUFACTURING, INC.  
2124 GRAND COMMERCE DR. HOWELL, MI 48855  
PHONE (800) 656-4420 FAX (800) 646-7429

FIRST ISSUED	
DRAWN BY	
CHECKED BY	
APPROVED BY	

TITLE	UAF-200 FLAT TOP FLUSH BOTTOM 16" SHORT PLUG TOP PICKET COMMERCIAL	
SIZE	DRG NO.	REV
C	UAF-200 FLAT TOP FLUSH BOTTOM SHORT PLUG TOP COMMERCIAL 6X6	1
SCALE 1:1	SHEET 1 OF 1	

ALL DIMENSIONS IN INCHES