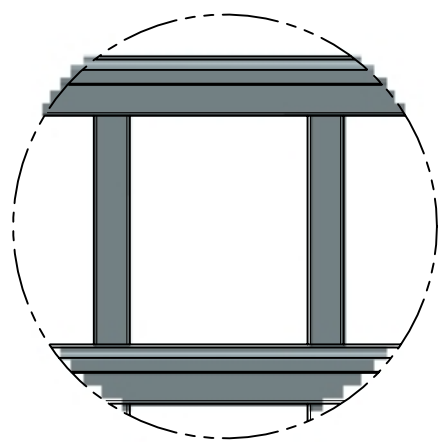
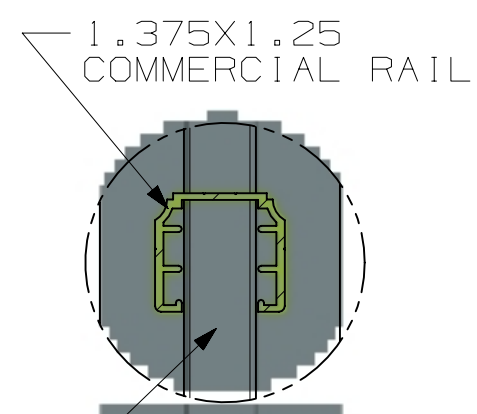


DETAIL B
SCALE 1:2

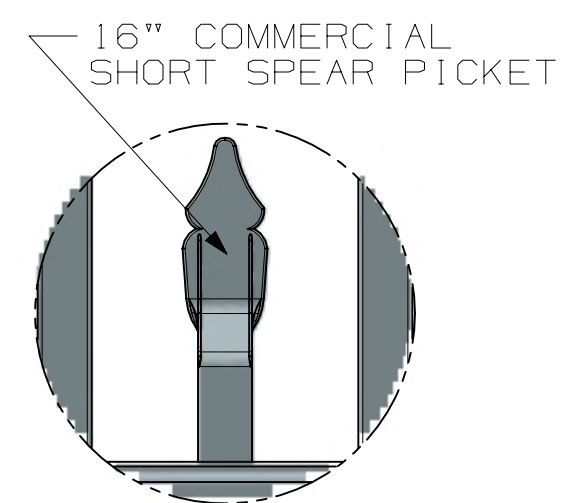


DETAIL D
SCALE 1:4



DETAIL C
SCALE 1:2

3/4" X 3/4" X .055 WALL
COMMERCIAL PICKET



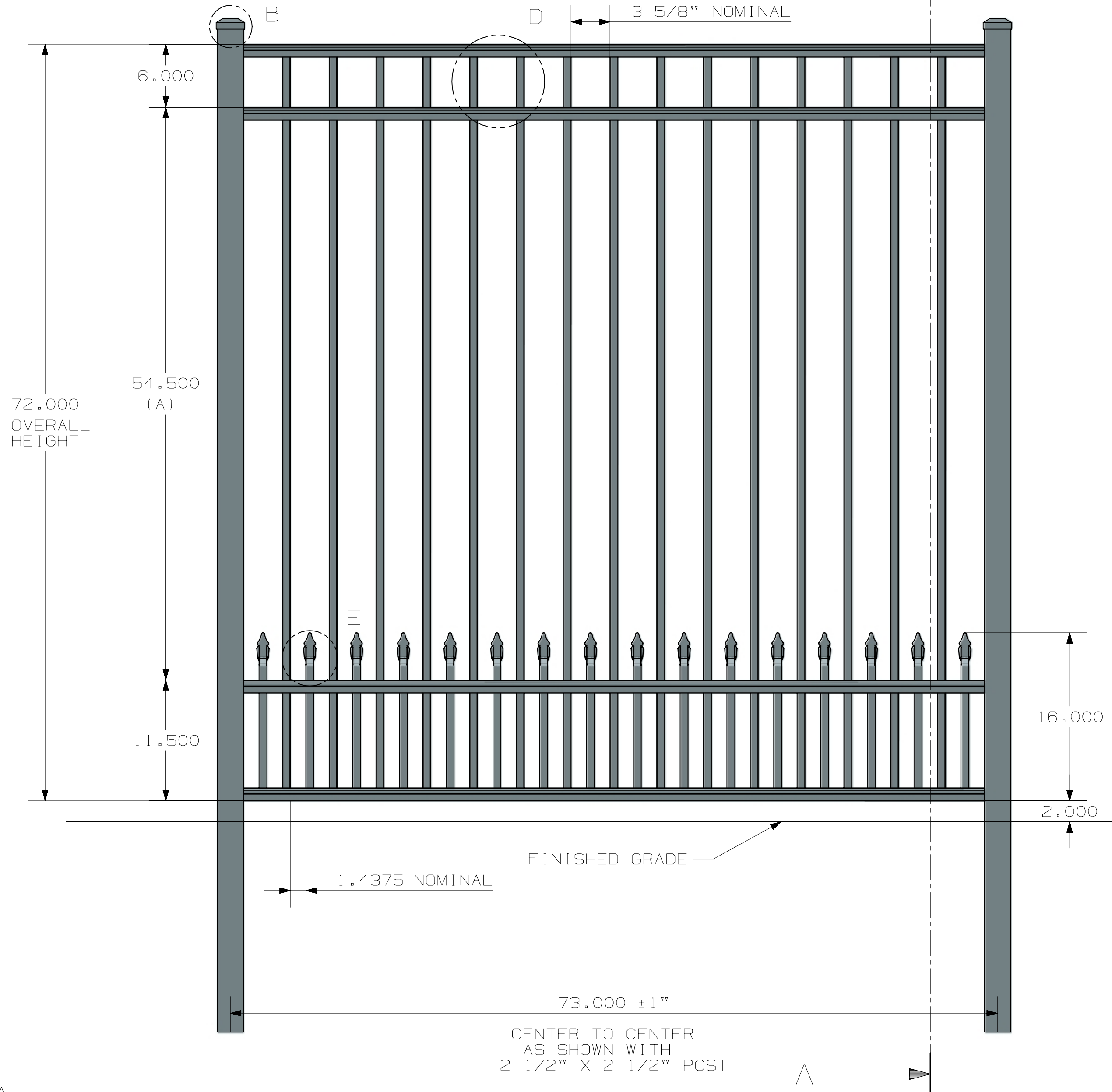
DETAIL E
SCALE 3:8

SECTION A-A

POST OPTIONS
 2" X 2" X .080" WALL
 2" X 2" X .125" WALL
 2 1/2" X 2 1/2" X .100" WALL
 3" X 3" X .125" WALL

HEIGHT	A
3'	18 1/2"
3 1/2'	24 1/2"
4'	30 1/2"
4 1/2'	36 1/2"
5'	42 1/2"
6'	54 1/2"

3D CAD MASTER PART NAME:



73.000 ± 1"
 CENTER TO CENTER
 AS SHOWN WITH
 2 1/2" X 2 1/2" POST

FINISHED GRADE

1.4375 NOMINAL

3 5/8" NOMINAL

72.000
 OVERALL
 HEIGHT

54.500
 (A)

11.500

16.000

2.000



ULTRA ALUMINUM MANUFACTURING, INC.
 2124 GRAND COMMERCE DR. HOWELL, MI 48855
 PHONE (800) 656-4420 FAX (800) 646-7429

FIRST ISSUED

TITLE
 UAF-200 FLAT TOP FLUSH BOTTOM
 16" SHORT SPEAR PICKET
 COMMERCIAL

DRAWN BY

CHECKED BY

APPROVED BY

SIZE DRG NO.
 C UAF-200 FLAT TOP FLUSH BOTTOM SHORT SPEAR COMMERCIAL 6X6

SCALE 1:1

SHEET 1 OF 1

ALL DIMENSIONS IN INCHES