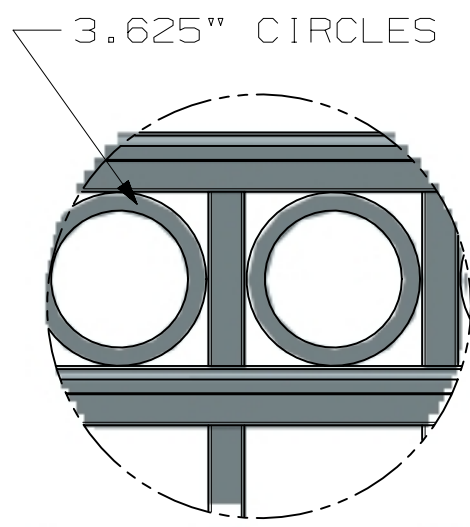
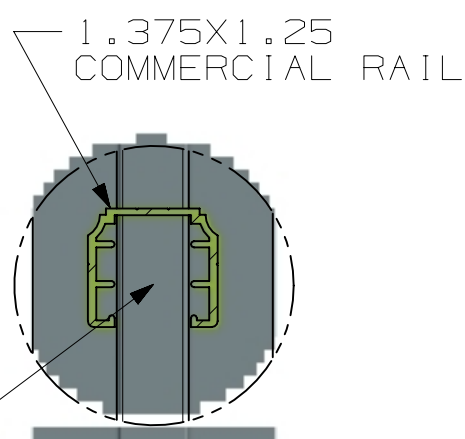


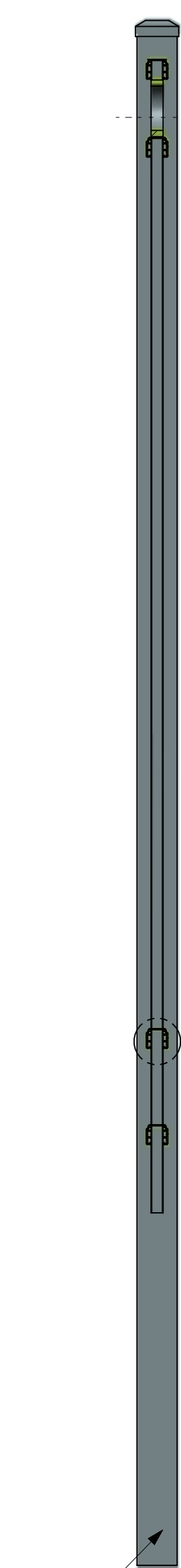
DETAIL B
SCALE 1:2



DETAIL D
SCALE 1:4

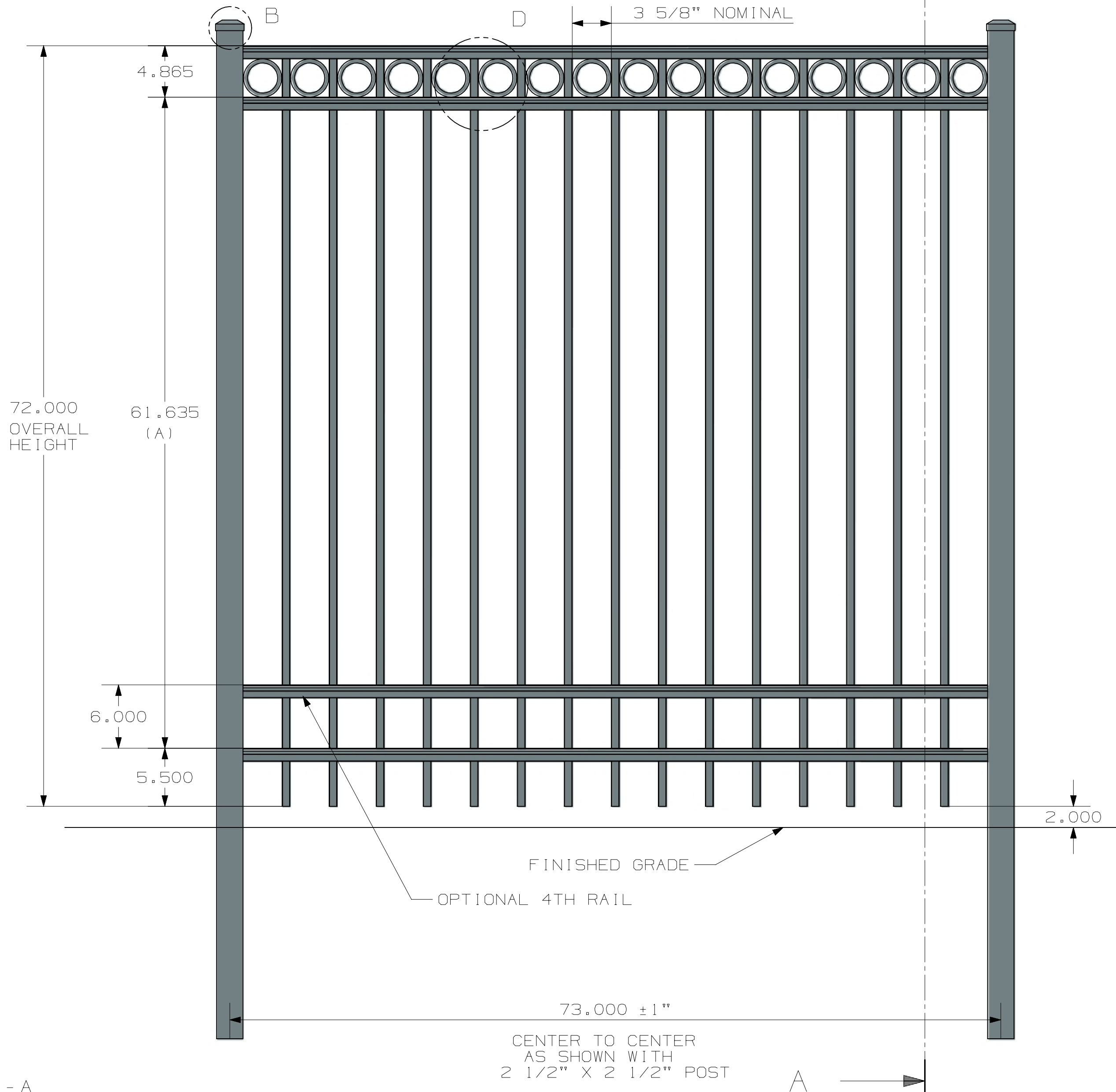


DETAIL C
SCALE 1:2



SECTION A - A

- POST OPTIONS
- 2" X 2" X .080" WALL
 - 2" X 2" X .125" WALL
 - 2 1/2" X 2 1/2" X .100" WALL
 - 3" X 3" X .125" WALL



HEIGHT	A
3'	25 5/8"
3 1/2'	31 5/8"
4'	37 5/8"
4 1/2'	43 5/8"
5'	49 5/8"
6'	61 5/8"

3D CAD MASTER PART NAME:

ALL DIMENSIONS IN INCHES



ULTRA ALUMINUM MANUFACTURING, INC.
2124 GRAND COMMERCE DR. HOWELL, MI 48855
PHONE (800) 656-4420 FAX (800) 646-7429

FIRST ISSUED
DRAWN BY
CHECKED BY
APPROVED BY

TITLE
UAF-200 FLAT TOP STD BOTTOM COMMERCIAL WITH CIRCLES

SCALE 1:1

SHEET 1 OF 1