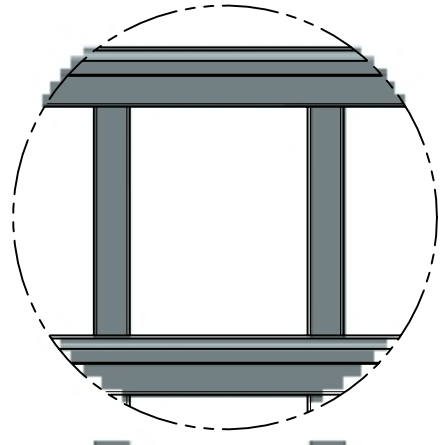
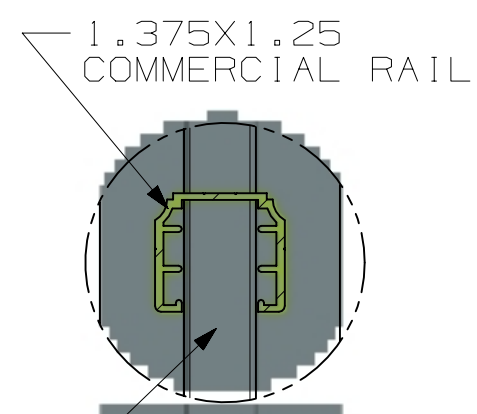


DETAIL B  
SCALE 1:2

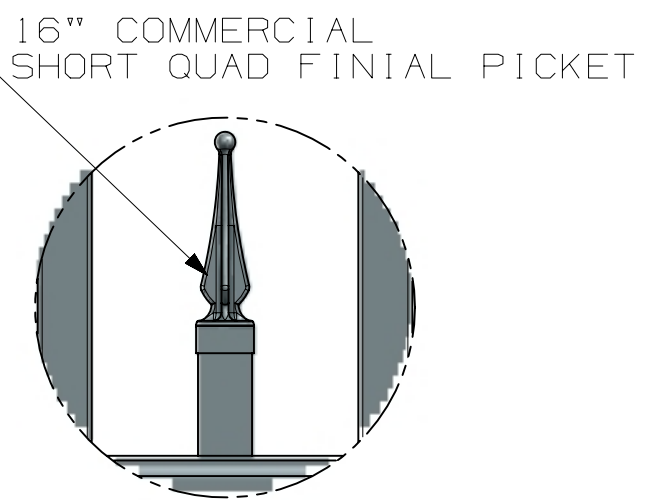


DETAIL D  
SCALE 1:4



DETAIL C  
SCALE 1:2

3/4" X 3/4" X .055 WALL  
COMMERCIAL PICKET



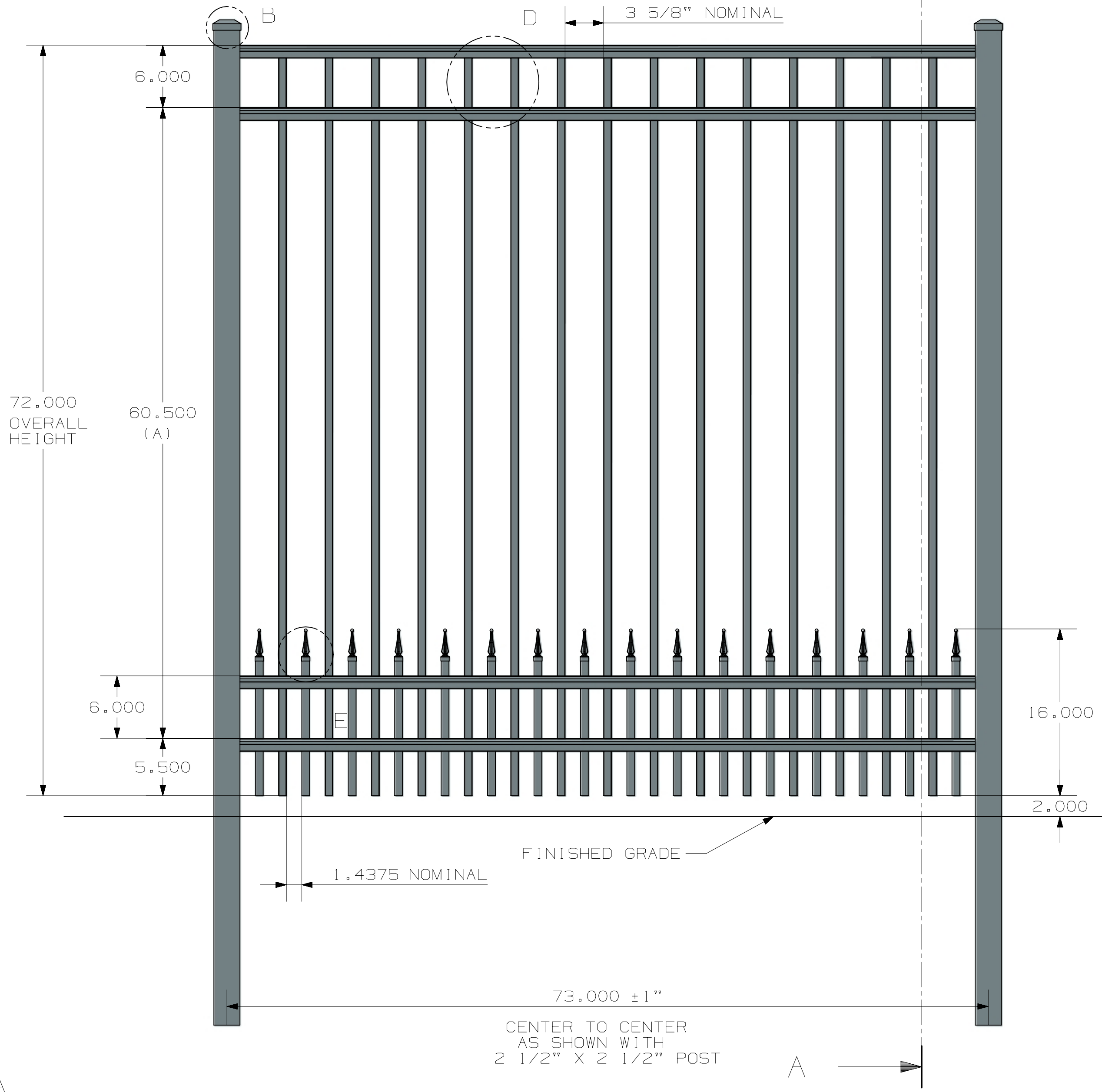
DETAIL E  
SCALE 3:8

SECTION A-A

- POST OPTIONS
- 2" X 2" X .080" WALL
  - 2" X 2" X .125" WALL
  - 2 1/2" X 2 1/2" X .100" WALL
  - 3" X 3" X .125" WALL

HEIGHT	A
3'	30 1/2"
3 1/2'	36 1/2"
4'	42 1/2"
4 1/2'	48 1/2"
5'	54 1/2"
6'	60 1/2"

3D CAD MASTER PART NAME:



73.000 ± 1"  
CENTER TO CENTER  
AS SHOWN WITH  
2 1/2" X 2 1/2" POST

		ULTRA ALUMINUM MANUFACTURING, INC. 2124 GRAND COMMERCE DR. HOWELL, MI 48855 PHONE (800) 656-4420 FAX (800) 646-7429	
FIRST ISSUED		TITLE	UAF-200 FLAT TOP STD BOTTOM 16" SHORT QUAD FINIAL PICKET COMMERCIAL
DRAWN BY		SIZE	C
CHECKED BY		DRG NO.	UAF-200 FLAT TOP STD BOTTOM SHORT QUAD FINIAL COMMERCIAL 6XB
APPROVED BY		REV	<input checked="" type="checkbox"/>
SCALE 1:1		SHEET 1 OF 1	

ALL DIMENSIONS IN INCHES