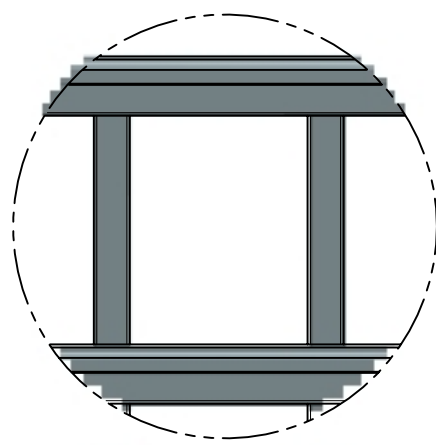
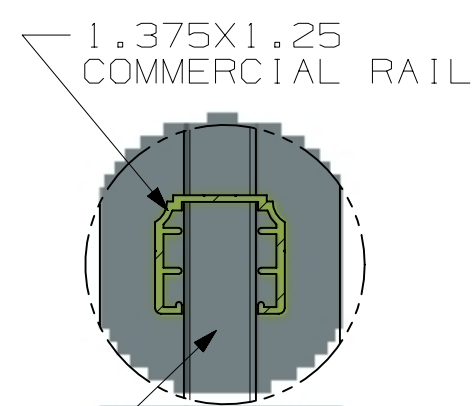


DETAIL B  
SCALE 1:2

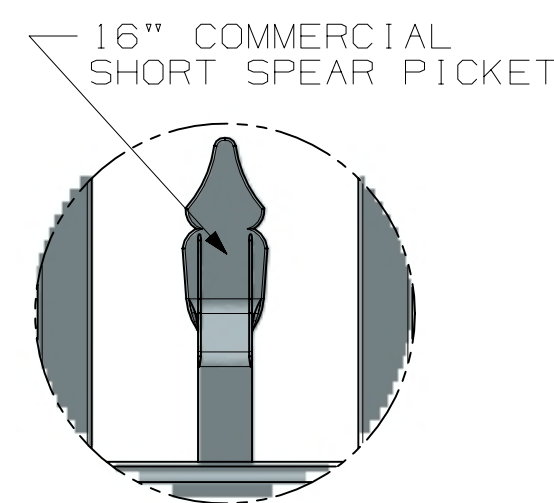


DETAIL D  
SCALE 1:4



DETAIL C  
SCALE 1:2

3/4" X 3/4" X .055 WALL  
COMMERCIAL PICKET



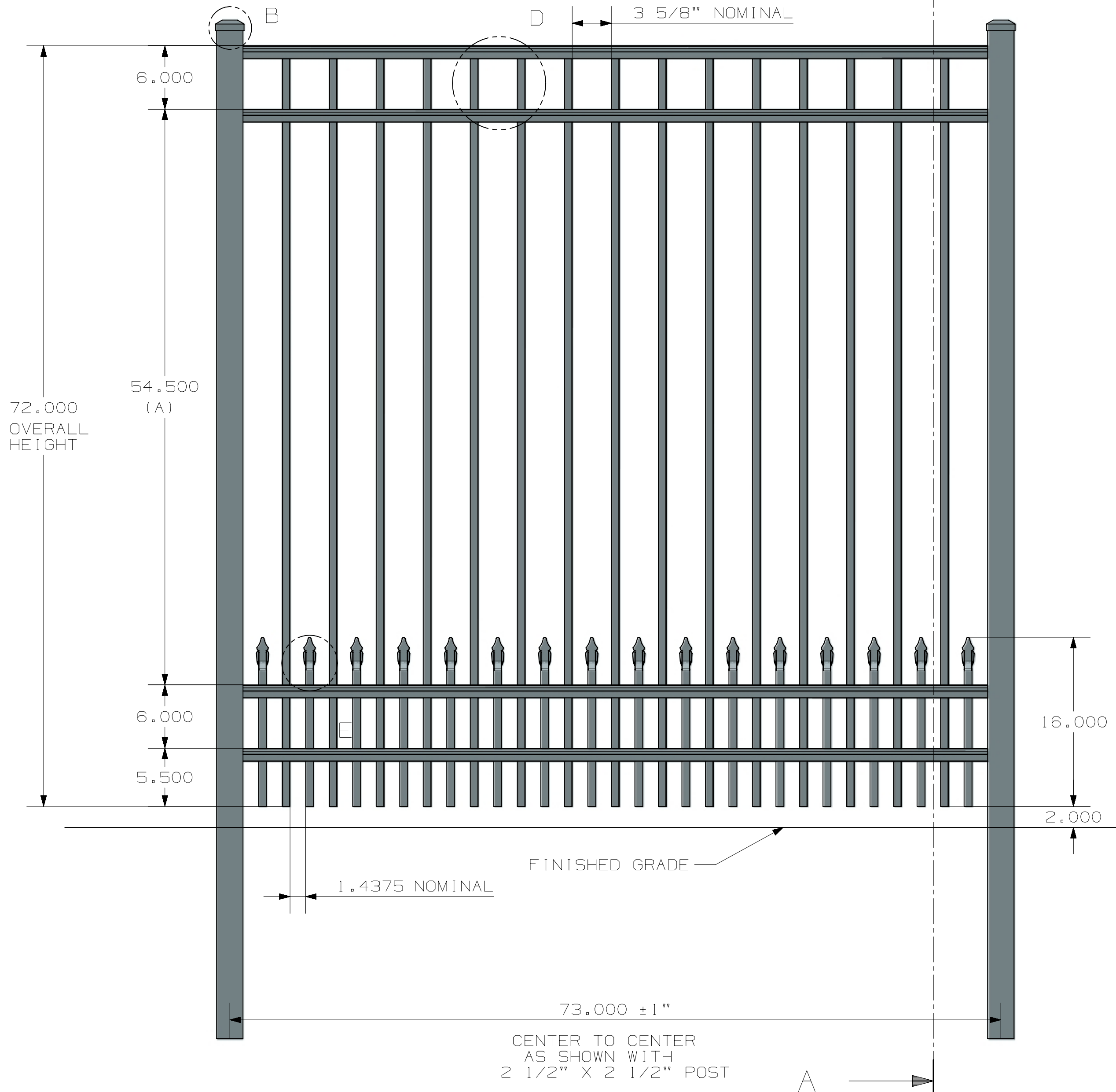
DETAIL E  
SCALE 3:8

SECTION A-A

- POST OPTIONS
- 2" X 2" X .080" WALL
  - 2" X 2" X .125" WALL
  - 2 1/2" X 2 1/2" X .100" WALL
  - 3" X 3" X .125" WALL

HEIGHT	A
3'	18 1/2"
3 1/2'	24 1/2"
4'	30 1/2"
4 1/2'	36 1/2"
5'	42 1/2"
6'	54 1/2"

3D CAD MASTER PART NAME:



73.000 ± 1"  
CENTER TO CENTER  
AS SHOWN WITH  
2 1/2" X 2 1/2" POST

FINISHED GRADE

1.4375 NOMINAL

72.000  
OVERALL  
HEIGHT

54.500  
(A)

6.000

5.500

16.000

2.000

3 5/8" NOMINAL



ULTRA ALUMINUM MANUFACTURING, INC.  
2124 GRAND COMMERCE DR. HOWELL, MI 48855  
PHONE (800) 656-4420 FAX (800) 646-7429

FIRST ISSUED  
DRAWN BY  
CHECKED BY  
APPROVED BY

TITLE  
UAF-200 FLAT TOP STD BOTTOM  
16" SHORT SPEAR PICKET  
COMMERCIAL

SCALE 1:1 SHEET 1 OF 1

ALL DIMENSIONS IN INCHES