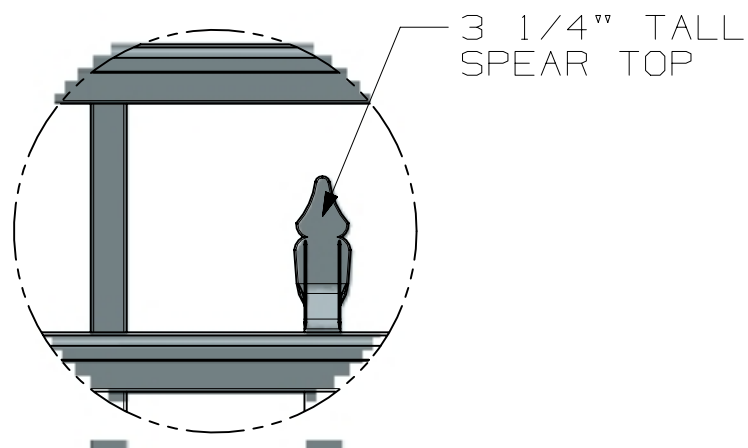
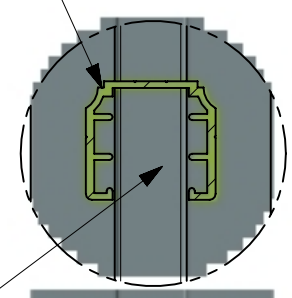


DETAIL B
SCALE 1:2



DETAIL A
SCALE 1:4

1.375X1.25
COMMERCIAL RAIL



3/4" X 3/4" X .055 WALL
COMMERCIAL PICKET

DETAIL C
SCALE 1:2

POST OPTIONS
 2" X 2" X .080" WALL
 2" X 2" X .125" WALL
 2 1/2" X 2 1/2" X .100" WALL
 3" X 3" X .125" WALL

SECTION D-D

72.000
OVERALL
HEIGHT

64.75"
(A)

6.000

6.000

3 5/8" NOMINAL

OPTIONAL 4TH RAIL

FINISHED GRADE

2.000

73.000
CENTER TO CENTER
AS SHOWN WITH
2 1/2" X 2 1/2" POST

HEIGHT	A
3'	28 3/4"
3 1/2'	34 3/4"
4'	40 3/4"
4 1/2'	46 3/4"
5'	52 3/4"
6'	64 3/4"

3D CAD MASTER PART NAME:

ALL DIMENSIONS IN INCHES



ULTRA ALUMINUM MANUFACTURING, INC.
 2124 GRAND COMMERCE DR. HOWELL, MI 48855
 PHONE (800) 656-4420 FAX (800) 646-7429

FIRST ISSUED
 DRAWN BY
 CHECKED BY
 APPROVED BY

TITLE
 UAF-250 FLAT TOP FLUSH BOTTOM
 WITH SPEAR
 COMMERCIAL

SIZE DRG NO.

C UAF-250 FLAT TOP FLUSH BOTTOM COMMERCIAL WITH SPEAR 6X6

SCALE 1:1

SHEET 1 OF 1