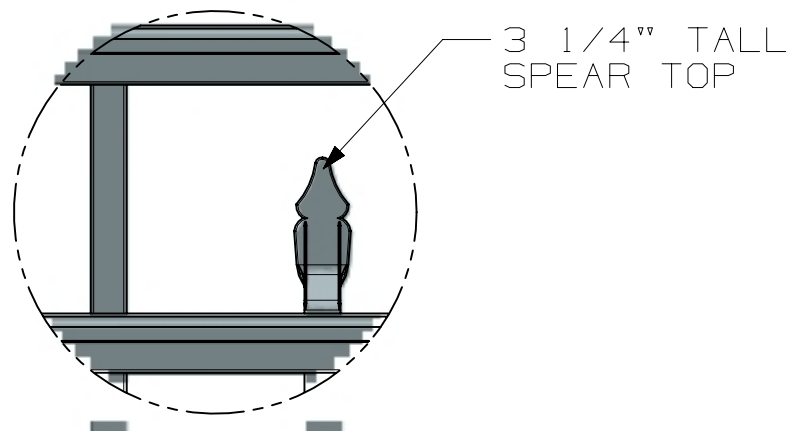
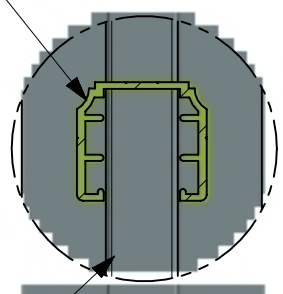


DETAIL B
SCALE 1:2



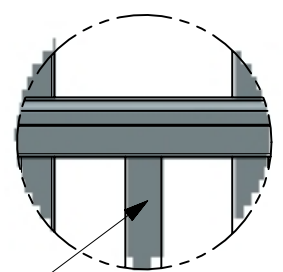
DETAIL A
SCALE 1:4

1.375X1.25
COMMERCIAL RAIL



DETAIL C
SCALE 1:2

3/4" X 3/4" X .055 WALL
COMMERCIAL PICKET

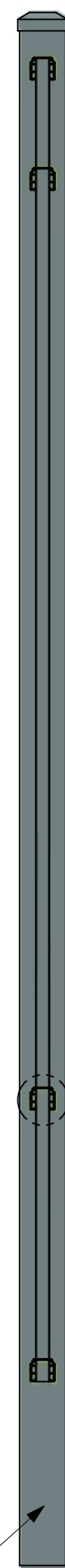


DETAIL E
SCALE 1:4

16" COMMERCIAL
FLAT TOP SHORT PICKET

HEIGHT	A
3'	14"
3 1/2'	20"
4'	26"
4 1/2'	32"
5'	38"
6'	50"

3D CAD MASTER PART NAME:



SECTION D-D

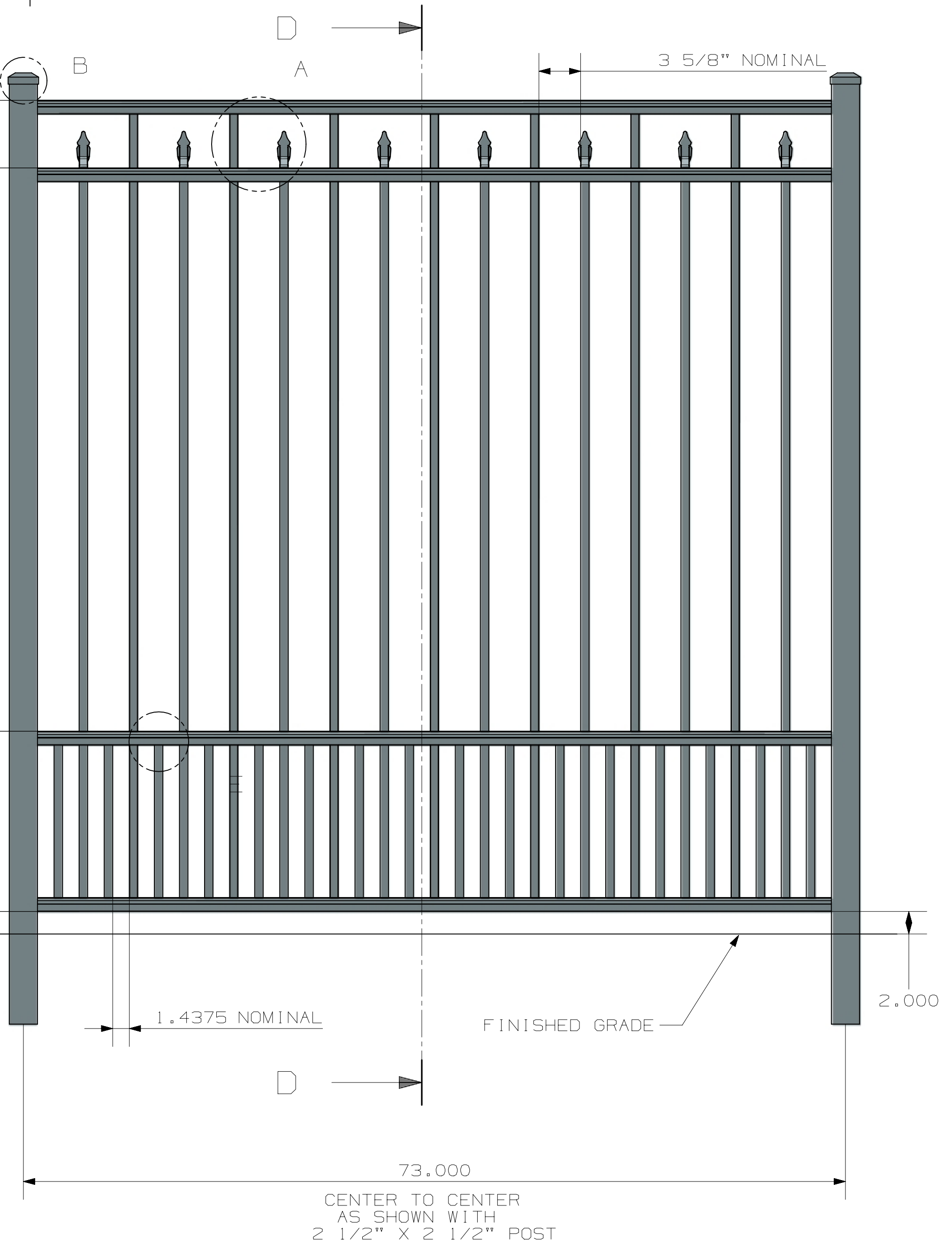
- POST OPTIONS
- 2" X 2" X .080" WALL
 - 2" X 2" X .125" WALL
 - 2 1/2" X 2 1/2" X .100" WALL
 - 3" X 3" X .125" WALL

72.000
OVERALL
HEIGHT

6.000

54.5"
(A)

16.000



ALL DIMENSIONS IN INCHES



ULTRA ALUMINUM MANUFACTURING, INC.
2124 GRAND COMMERCE DR. HOWELL, MI 48855
PHONE (800) 656-4420 FAX (800) 646-7429

FIRST ISSUED
DRAWN BY
CHECKED BY
APPROVED BY

TITLE
UAF-250 FLAT TOP FLUSH BOTTOM
WITH SPEAR
AND FLAT TOP SHORT PICKET
COMMERCIAL

SCALE 1:1

SIZE DRG NO.
C UAF-250 FLAT TOP FLUSH BOTTOM COMMERCIAL WITH SPEAR AND FLAT TOP SHORT PICKET 6X6
REV
SHEET 1 OF 1