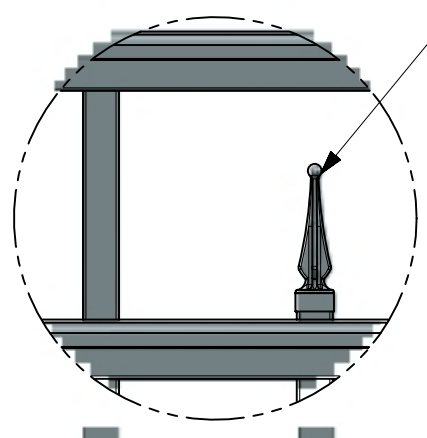
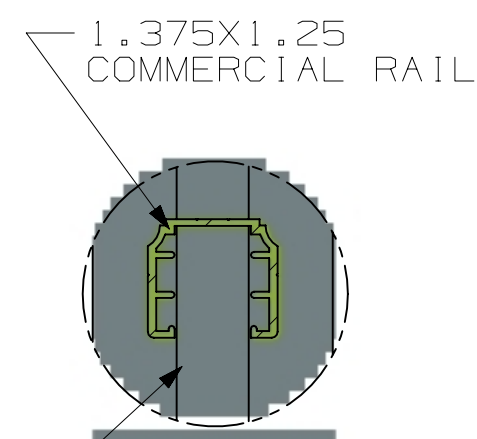


DETAIL B
SCALE 1:2

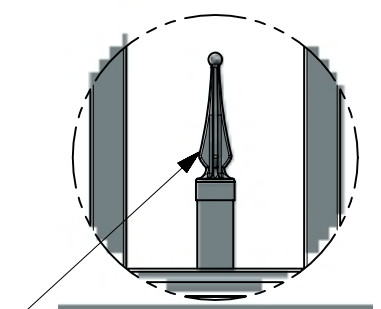


DETAIL A
SCALE 1:4

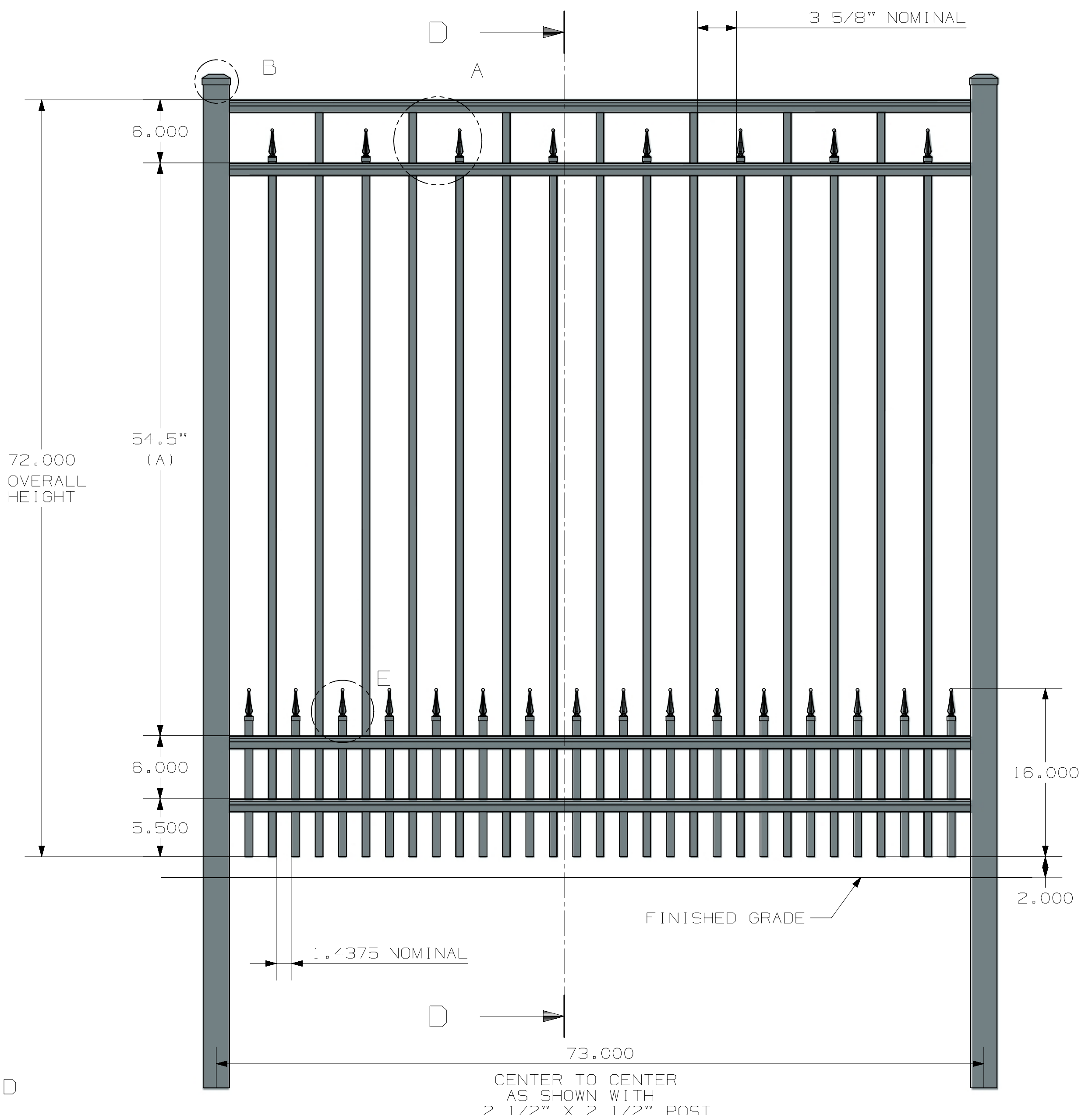
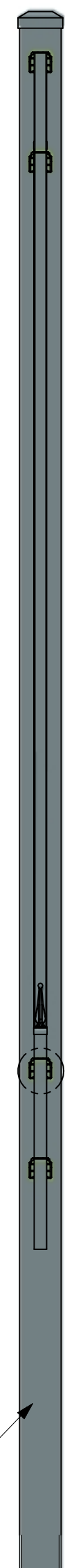


3/4" X 3/4" X .055 WALL
COMMERCIAL PICKET

DETAIL C
SCALE 1:2



DETAIL E
SCALE 1:4



HEIGHT	A
3'	18 1/2"
3 1/2'	24 1/2"
4'	30 1/2"
4 1/2'	36 1/2"
5'	42 1/2"
6'	54 1/2"

POST OPTIONS
 2" X 2" X .080" WALL
 2" X 2" X .125" WALL
 2 1/2" X 2 1/2" X .100" WALL
 3" X 3" X .125" WALL

3D CAD MASTER PART NAME:

ALL DIMENSIONS IN INCHES



ULTRA ALUMINUM MANUFACTURING, INC.
 2124 GRAND COMMERCE DR. HOWELL, MI 48855
 PHONE (800) 656-4420 FAX (800) 646-7429

FIRST ISSUED
 DRAWN BY
 CHECKED BY
 APPROVED BY

TITLE
 UAF-250 FLAT TOP STD BOTTOM
 WITH QUADS-FINIALS
 AND SHORT QUAD-FINIAL
 COMMERCIAL

SCALE 1:1

SIZE DRG NO.
 C UAF-250 FLAT TOP STD BOTTOM COMMERCIAL WITH QUADS AND SHORT QUAD PICKETS EXE

REV

SHEET 1 OF 1