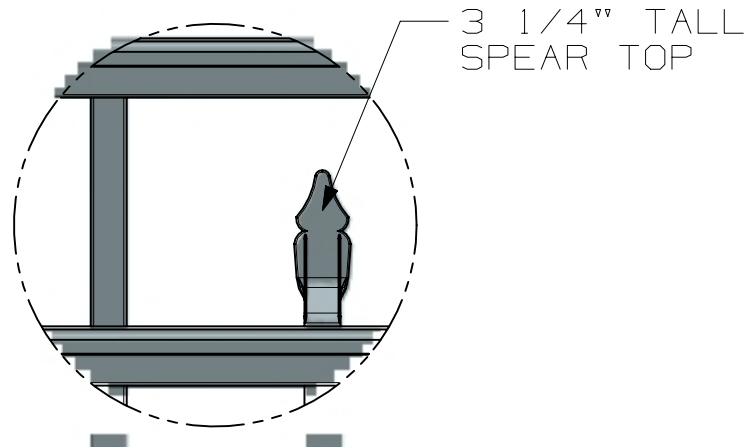
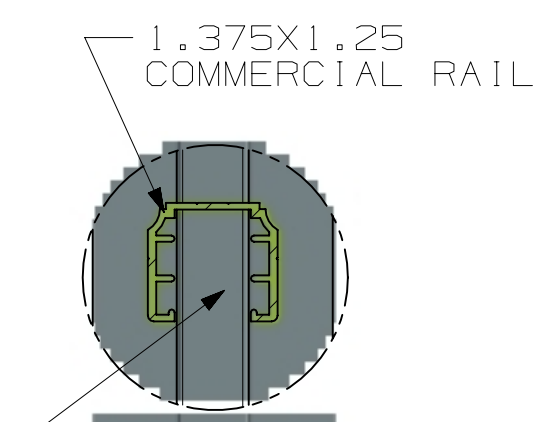


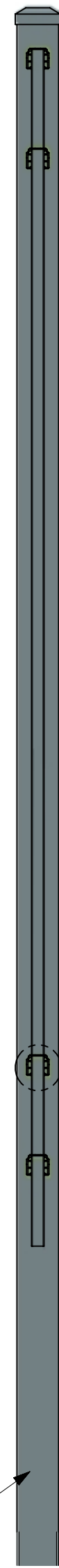
DETAIL B  
SCALE 1:2



DETAIL A  
SCALE 1:4



DETAIL C  
SCALE 1:2

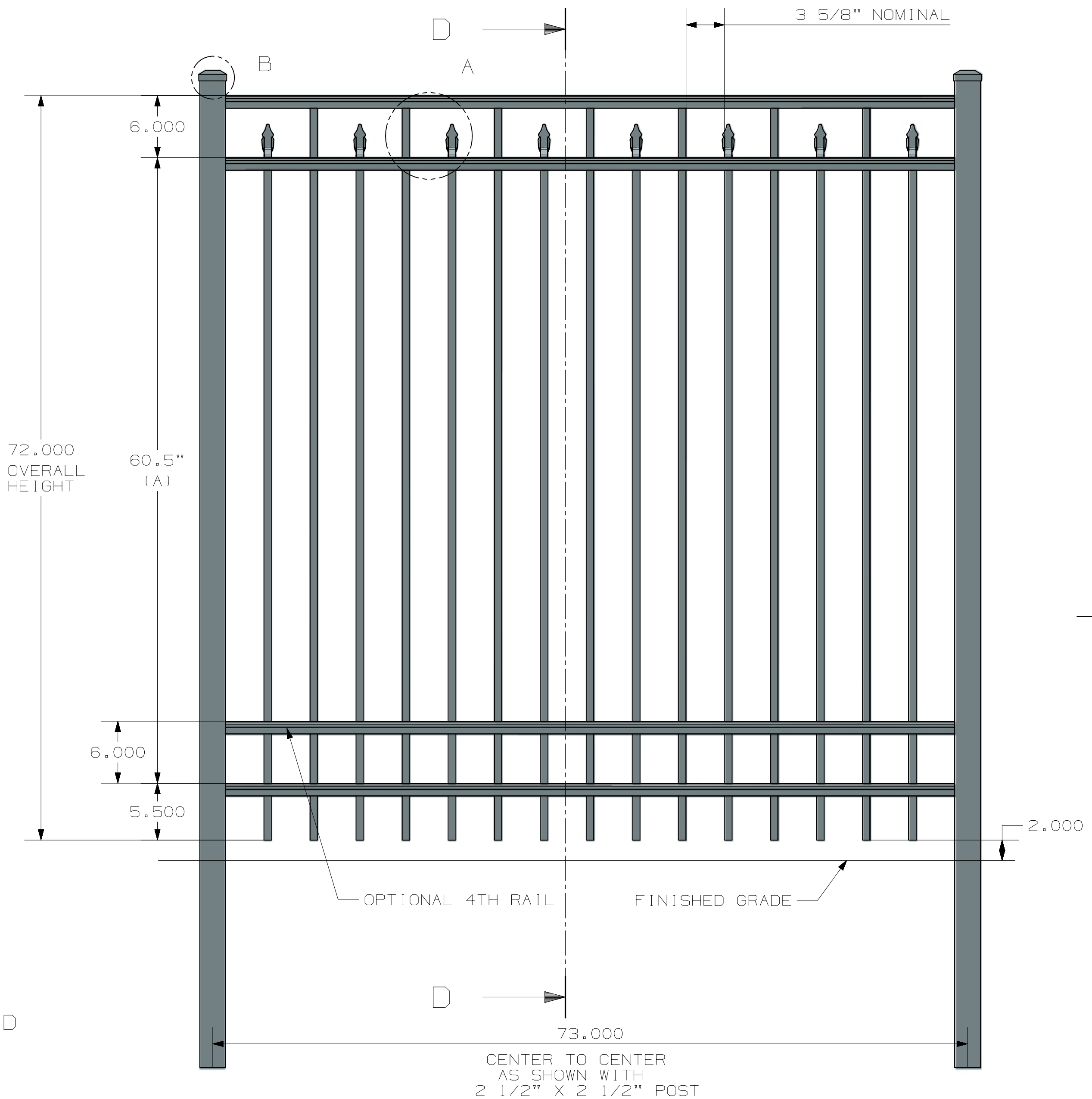


SECTION D-D

- POST OPTIONS
- 2" X 2" X .080" WALL
  - 2" X 2" X .125" WALL
  - 2 1/2" X 2 1/2" X .100" WALL
  - 3" X 3" X .125" WALL

| HEIGHT | A       |
|--------|---------|
| 3'     | 24 1/2" |
| 3 1/2' | 30 1/2" |
| 4'     | 36 1/2" |
| 4 1/2' | 42 1/2" |
| 5'     | 48 1/2" |
| 6'     | 60 1/2" |

3D CAD MASTER PART NAME:



ALL DIMENSIONS IN INCHES



ULTRA ALUMINUM MANUFACTURING, INC.  
2124 GRAND COMMERCE DR. HOWELL, MI 48855  
PHONE (800) 656-4420 FAX (800) 646-7429

|              |  |
|--------------|--|
| FIRST ISSUED |  |
| DRAWN BY     |  |
| CHECKED BY   |  |
| APPROVED BY  |  |

|           |   |     |
|-----------|---|-----|
| TITLE     | UAF-250 FLAT TOP STD BOTTOM WITH SPEAR COMMERCIAL     |     |
| SIZE      | DRG NO.   | REV |
| C         | UAF-250 FLAT TOP STD BOTTOM COMMERCIAL WITH SPEAR 6X6 | 1   |
| SCALE 1:1 | SHEET 1 OF 1  |     |