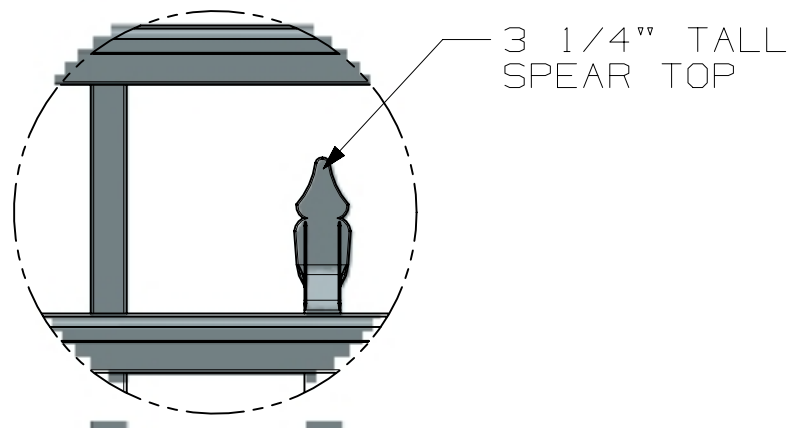
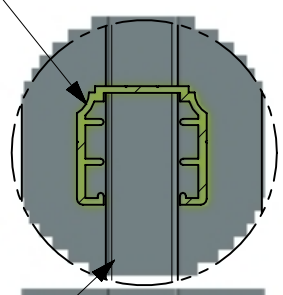


DETAIL B
SCALE 1:2



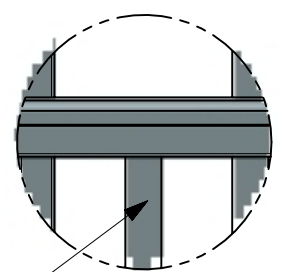
DETAIL A
SCALE 1:4

1.375X1.25
COMMERCIAL RAIL



DETAIL C
SCALE 1:2

3/4" X 3/4" X .055 WALL
COMMERCIAL PICKET



DETAIL E
SCALE 1:4

16" COMMERCIAL
FLAT TOP SHORT PICKET

HEIGHT	A
3'	14"
3 1/2'	20"
4'	26"
4 1/2'	32"
5'	38"
6'	50"

POST OPTIONS
 2" X 2" X .080" WALL
 2" X 2" X .125" WALL
 2 1/2" X 2 1/2" X .100" WALL
 3" X 3" X .125" WALL

SECTION D-D

72.000
OVERALL
HEIGHT

6.000

54.5"
(A)

10.500

5.500

1.4375 NOMINAL

FINISHED GRADE

15.930

2.000

73.000
CENTER TO CENTER
AS SHOWN WITH
2 1/2" X 2 1/2" POST

3 5/8" NOMINAL



ULTRA ALUMINUM MANUFACTURING, INC.
 2124 GRAND COMMERCE DR. HOWELL, MI 48855
 PHONE (800) 656-4420 FAX (800) 646-7429

FIRST ISSUED

TITLE

DRAWN BY

UAF-250 FLAT TOP STD BOTTOM
WITH SPEAR
AND FLAT TOP SHORT PICKET
COMMERCIAL

CHECKED BY

APPROVED BY

SIZE DRG NO.

REV

C

SCALE 1:1

SHEET 1 OF 1

3D CAD MASTER PART NAME:

ALL DIMENSIONS IN INCHES