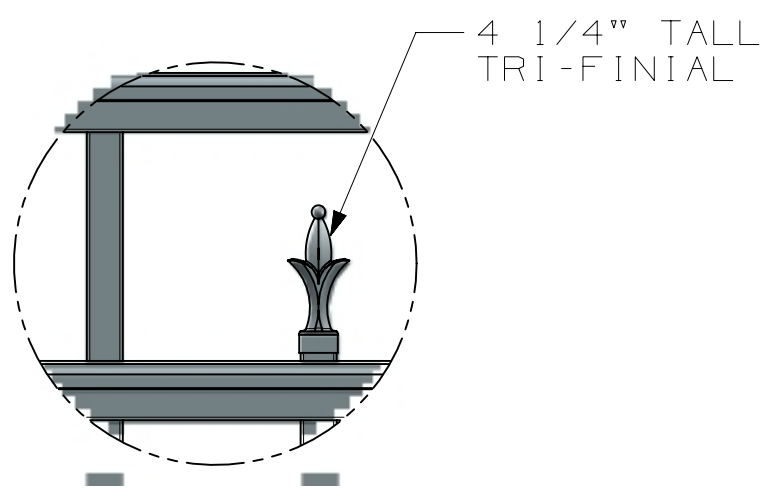
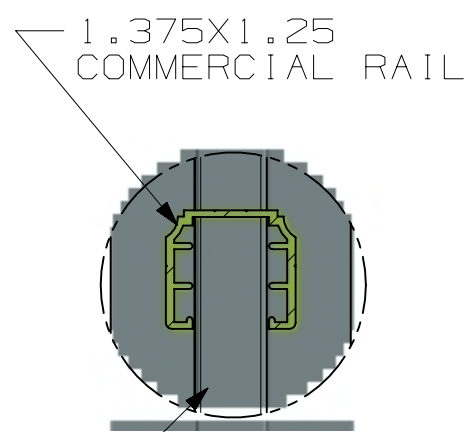


DETAIL B  
SCALE 1:2



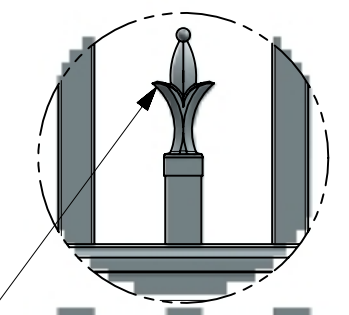
DETAIL A  
SCALE 1:4



DETAIL C  
SCALE 1:2

1.375X1.25  
COMMERCIAL RAIL

3/4" X 3/4" X .055 WALL  
COMMERCIAL PICKET



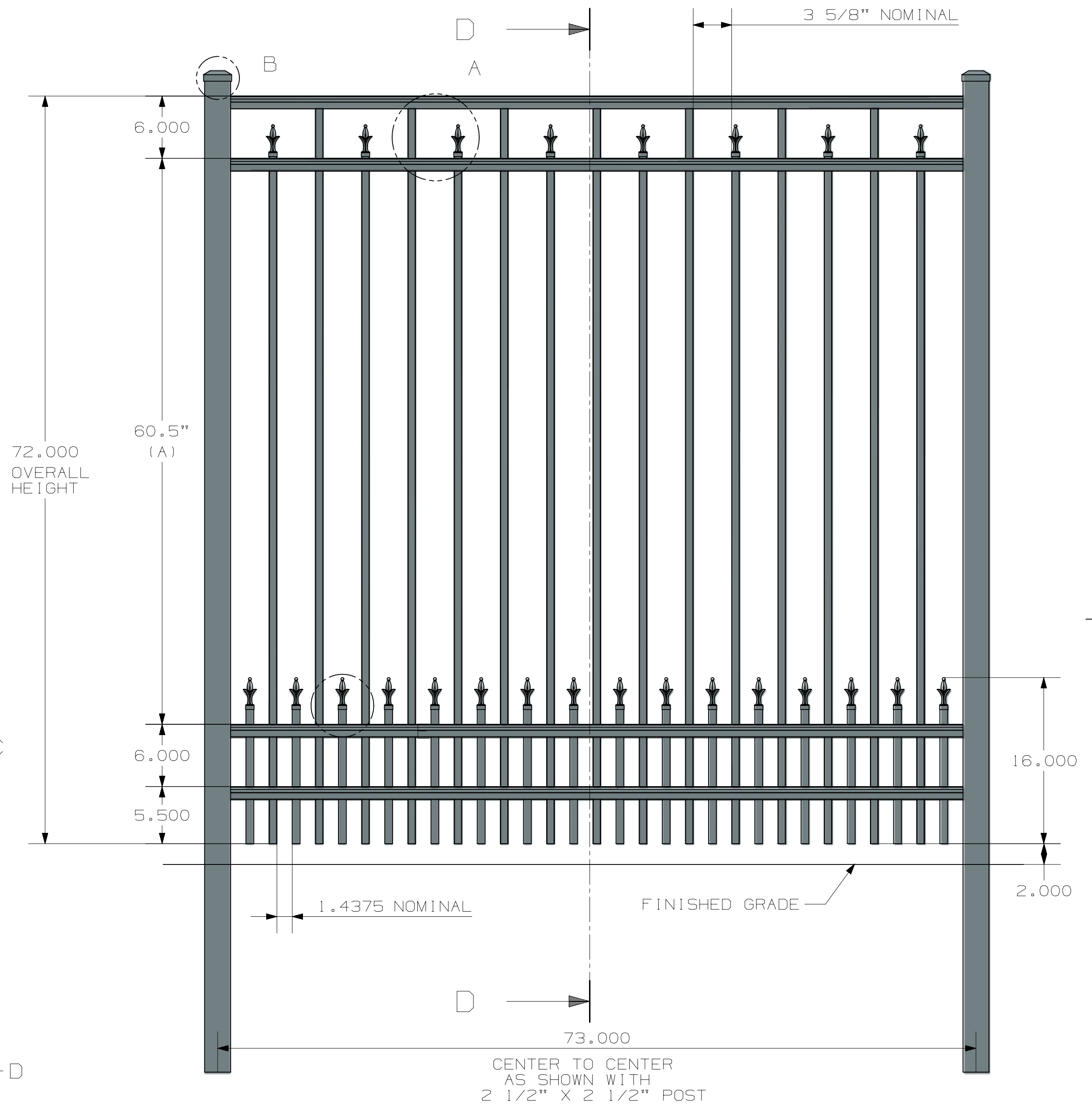
DETAIL E  
SCALE 1:4

16" COMMERCIAL  
SHORT TRI-FINIAL PICKET



SECTION D-D

POST OPTIONS  
 2" X 2" X .080" WALL  
 2" X 2" X .125" WALL  
 2 1/2" X 2 1/2" X .100" WALL  
 3" X 3" X .125" WALL



HEIGHT	A
3'	18 1/2"
3 1/2'	24 1/2"
4'	30 1/2"
4 1/2'	36 1/2"
5'	42 1/2"
6'	54 1/2"

3D CAD MASTER PART NAME:

ALL DIMENSIONS IN INCHES



ULTRA ALUMINUM MANUFACTURING, INC.  
 2124 GRAND COMMERCE DR. HOWELL, MI 48855  
 PHONE (800) 656-4420 FAX (800) 646-7429

FIRST ISSUED	
DRAWN BY	
CHECKED BY	
APPROVED BY	

TITLE	UAF-250 FLAT TOP STD BOTTOM WITH TRI-FINIALS AND SHORT TRI-FINIAL COMMERCIAL	
SIZE/DRG NO.	C	UAF-250 FLAT TOP STD BOTTOM COMMERCIAL WITH TRI-FINIALS AND SHORT TRI-FINIAL
REV	EXB	<input checked="" type="checkbox"/>
SCALE	1:1	SHEET 1 OF 1