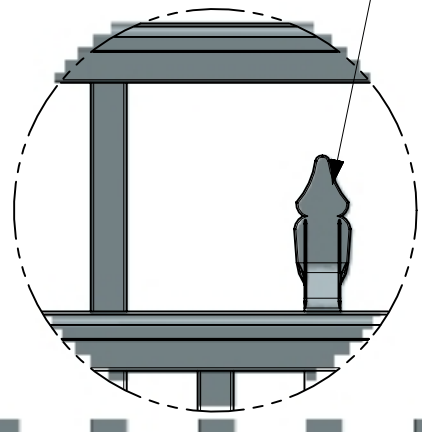
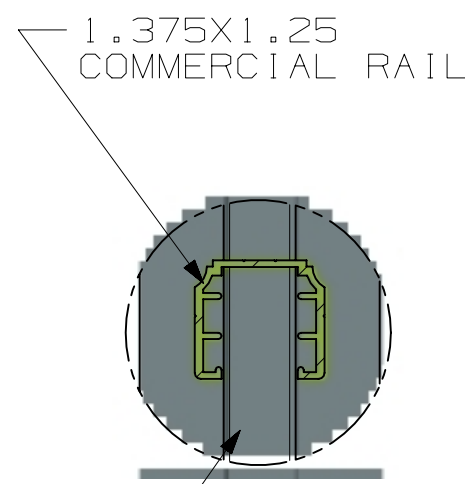


DETAIL B  
SCALE 1:2  
3 1/4" TALL  
SPEAR TOP



DETAIL A  
SCALE 1:4



DETAIL C  
SCALE 1:2

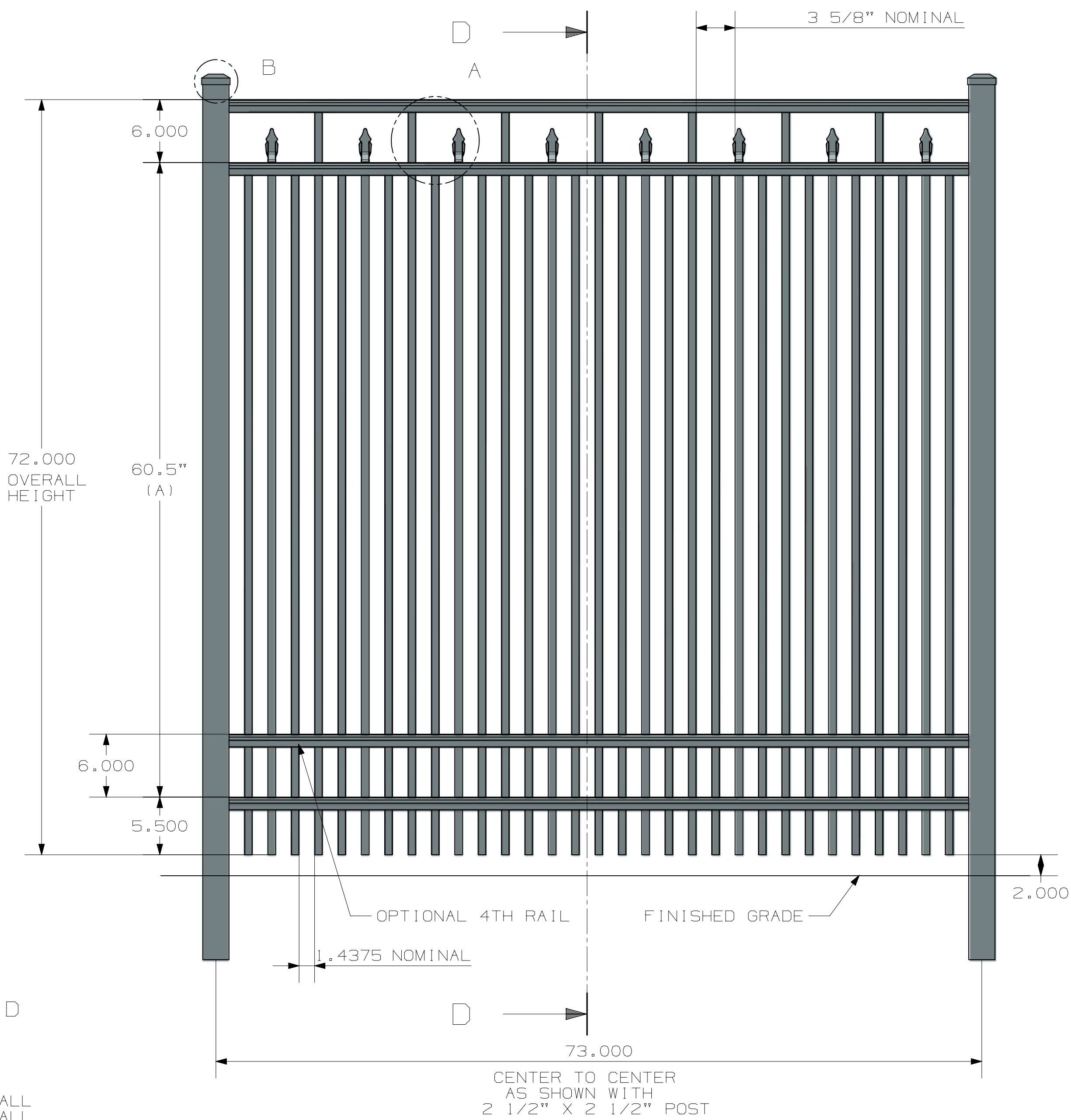
3/4" X 3/4" X .055 WALL  
COMMERCIAL PICKET

SECTION D-D

POST OPTIONS  
 2" X 2" X .080" WALL  
 2" X 2" X .125" WALL  
 2 1/2" X 2 1/2" X .100" WALL  
 3" X 3" X .125" WALL

HEIGHT	A
3'	24 1/2"
3 1/2'	30 1/2"
4'	36 1/2"
4 1/2'	42 1/2"
5'	48 1/2"
6'	60 1/2"

3D CAD MASTER PART NAME:



ULTRA ALUMINUM MANUFACTURING, INC.  
 2124 GRAND COMMERCE DR. HOWELL, MI 48855  
 PHONE (800) 656-4420 FAX (800) 646-7429

FIRST ISSUED  
 DRAWN BY  
 CHECKED BY  
 APPROVED BY

TITLE  
 UAF-251 FLAT TOP STD BOTTOM  
 WITH SPEAR  
 COMMERCIAL

SIZE/DRG NO.  
 C UAF-251 FLAT TOP STD BOTTOM COMMERCIAL WITH SPEAR 6X6

SCALE 1:1 SHEET 1 OF 1

ALL DIMENSIONS IN INCHES