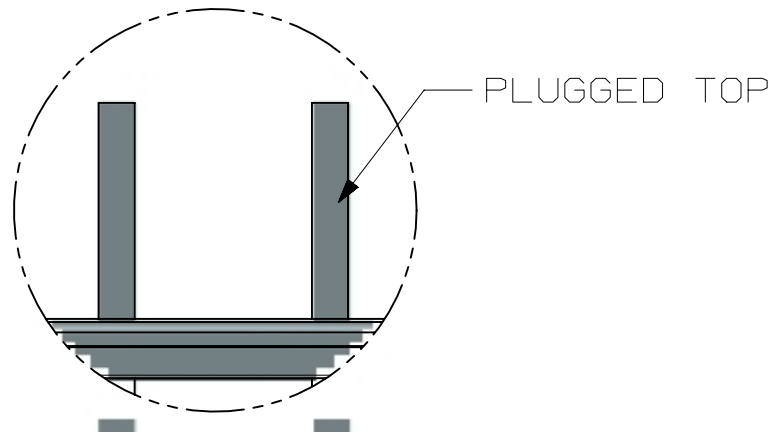
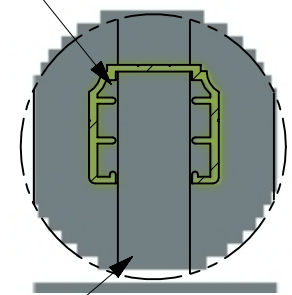


DETAIL B
SCALE 1:2



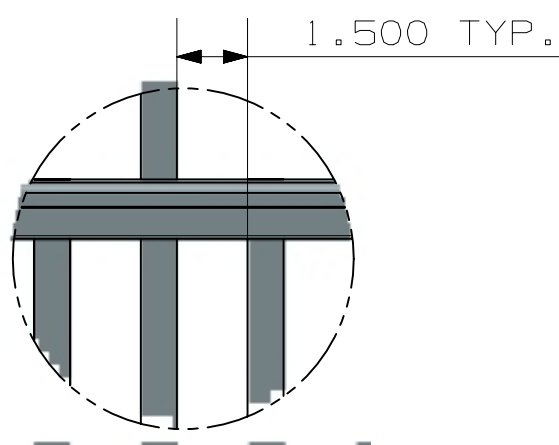
DETAIL A
SCALE 1:4

1.375X1.25
COMMERCIAL RAIL



3/4" X 3/4" X .055 WALL
COMMERCIAL PICKET

DETAIL C
SCALE 1:2

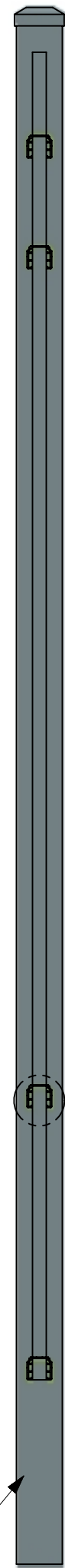


DETAIL E
SCALE 1:4

POST OPTIONS
 2" X 2" X .080" WALL
 2" X 2" X .125" WALL
 2 1/2" X 2 1/2" X .100" WALL
 3" X 3" X .125" WALL

HEIGHT	A
3'	9 1/2"
3 1/2'	15 1/2"
4'	21 1/2"
4 1/2'	27 1/2"
5'	33 1/2"
6'	45 1/2"

3D CAD MASTER PART NAME:



SECTION D-D

72.000
OVERALL
HEIGHT

4.500
6.000

45.5"
(A)

14.750

16" COMMERCIAL
PLUG TOP SHORT PICKET

FINISHED GRADE

2.000

73.000
CENTER TO CENTER
AS SHOWN WITH
2 1/2" X 2 1/2" POST

3 5/8" NOMINAL

ALL DIMENSIONS IN INCHES



ULTRA ALUMINUM MANUFACTURING, INC.
2124 GRAND COMMERCE DR. HOWELL, MI 48855
PHONE (800) 656-4420 FAX (800) 646-7429

FIRST ISSUED
DRAWN BY
CHECKED BY
APPROVED BY

TITLE
UAS-100 FLUSH BOTTOM
WITH PLUGGED TOP
WITH FLAT TOP 16" SHORT PICKET
COMMERCIAL

SCALE 1:1

SIZE DRG NO. C
UAS-100 FLUSH BOTTOM COMMERCIAL PLUGGED TOP W FLAT TOP SHORT PICKET 6X6

REV

SHEET 1 OF 1