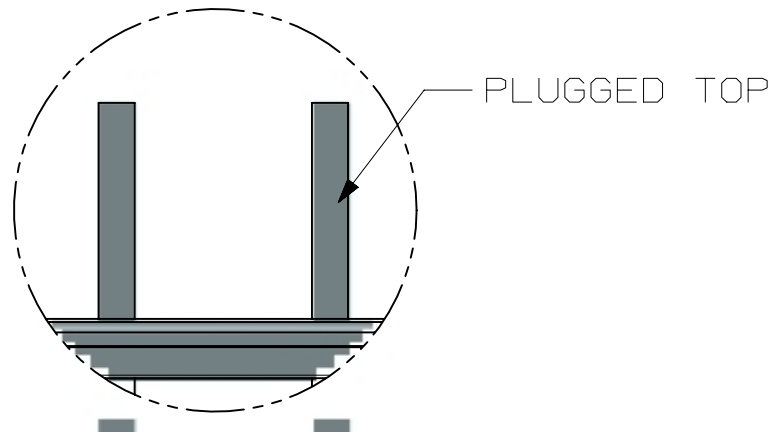
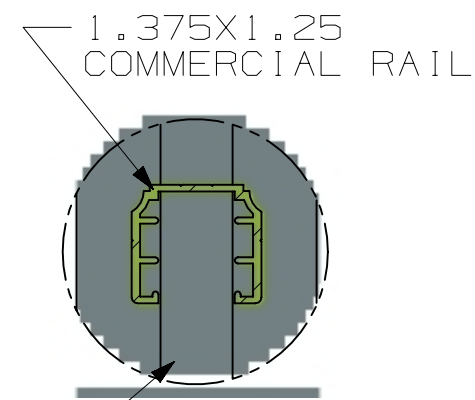


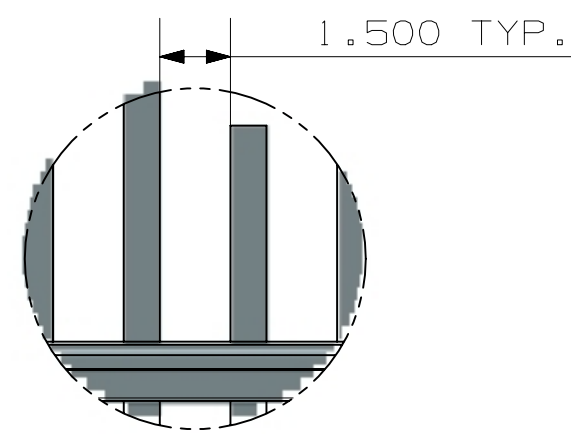
DETAIL B  
SCALE 1:2



DETAIL A  
SCALE 1:4



DETAIL C  
SCALE 1:2

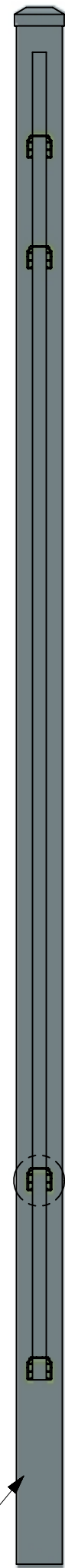


DETAIL E  
SCALE 1:4

- POST OPTIONS
- 2" X 2" X .080" WALL
  - 2" X 2" X .125" WALL
  - 2 1/2" X 2 1/2" X .100" WALL
  - 3" X 3" X .125" WALL

HEIGHT	A
3'	14"
3 1/2'	20"
4'	26"
4 1/2'	32"
5'	38"
6'	50"

3D CAD MASTER PART NAME:



SECTION D-D

72.000  
OVERALL  
HEIGHT

4.500  
6.000

50"  
(A)

10.250

16.000

16.000

2.000

3 5/8" NOMINAL

73.000

CENTER TO CENTER  
AS SHOWN WITH  
2 1/2" X 2 1/2" POST

16" COMMERCIAL  
PLUG TOP SHORT PICKET

FINISHED GRADE



ULTRA ALUMINUM MANUFACTURING, INC.  
2124 GRAND COMMERCE DR. HOWELL, MI 48855  
PHONE (800) 656-4420 FAX (800) 646-7429

FIRST ISSUED  
DRAWN BY  
CHECKED BY  
APPROVED BY

TITLE  
UAS-100 FLUSH BOTTOM  
WITH PLUGGED TOP  
WITH 16" SHORT PICKET  
COMMERCIAL

SIZE DRG NO. REV  
C UAS-100 FLUSH BOTTOM COMMERCIAL PLUGGED TOP W SHORT PICKET 6X6  
SCALE 1:1 SHEET 1 OF 1

ALL DIMENSIONS IN INCHES