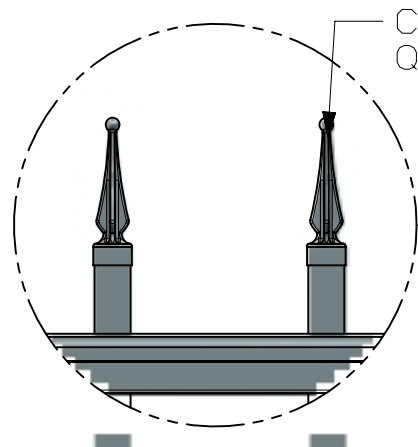
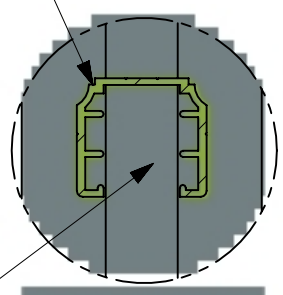


DETAIL B
SCALE 1:2



DETAIL A
SCALE 1:4

1.375X1.25
COMMERCIAL RAIL



3/4" X 3/4" X .055 WALL
COMMERCIAL PICKET

DETAIL C
SCALE 1:2

- POST OPTIONS
- 2" X 2" X .080" WALL
 - 2" X 2" X .125" WALL
 - 2 1/2" X 2 1/2" X .100" WALL
 - 3" X 3" X .125" WALL

HEIGHT	A
3'	24 1/4"
3 1/2'	30 1/4"
4'	36 1/4"
4 1/2'	42 1/4"
5'	48 1/4"
6'	60 1/4"

3D CAD MASTER PART NAME:



SECTION D-D

72.00
OVERALL
HEIGHT

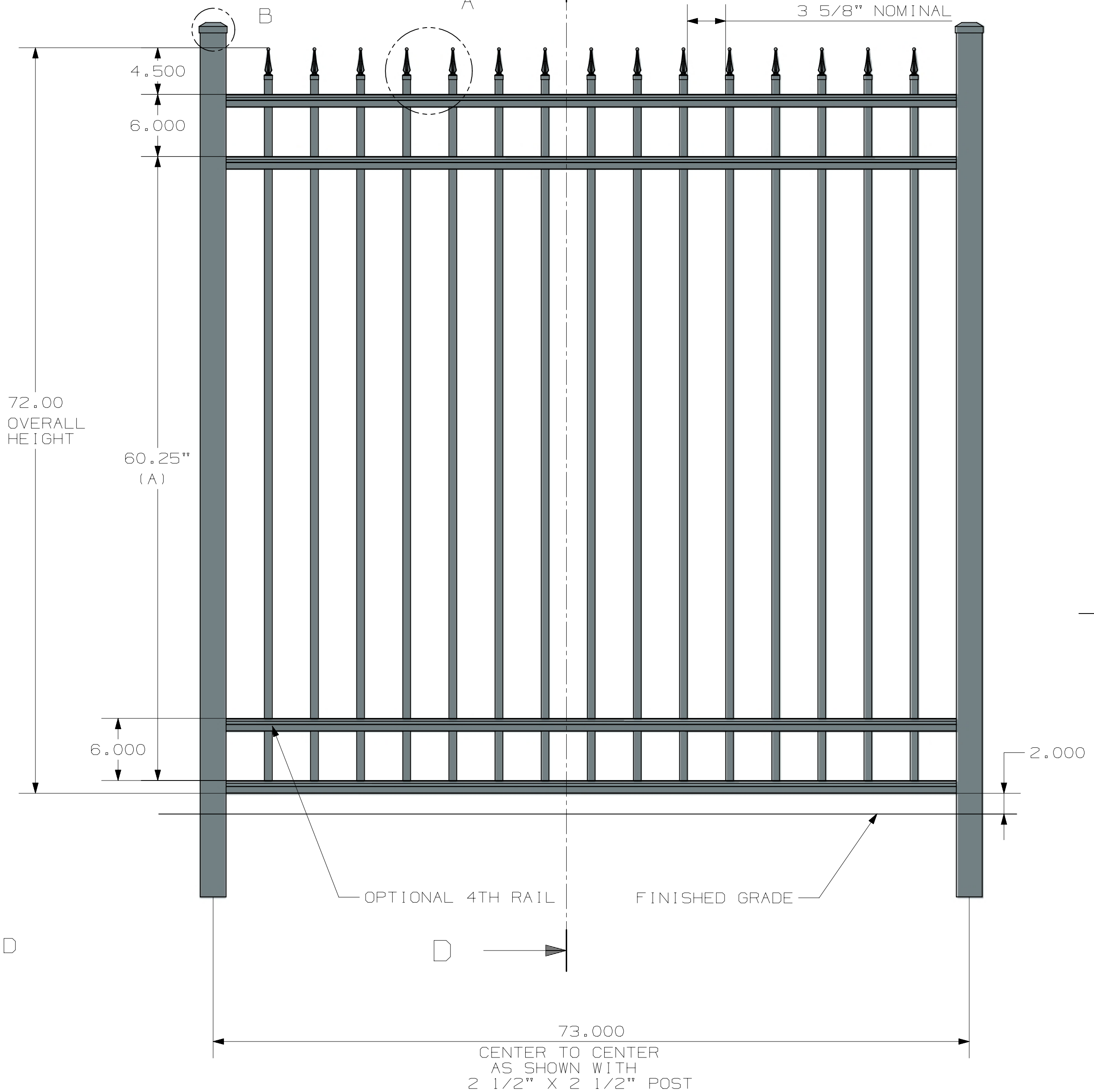
60.25"
(A)

6.000

4.500
6.000

D
A

3 5/8" NOMINAL



OPTIONAL 4TH RAIL

FINISHED GRADE

73.000
CENTER TO CENTER
AS SHOWN WITH
2 1/2" X 2 1/2" POST

ALL DIMENSIONS IN INCHES



ULTRA ALUMINUM MANUFACTURING, INC.
2124 GRAND COMMERCE DR. HOWELL, MI 48855
PHONE (800) 656-4420 FAX (800) 646-7429

FIRST ISSUED
DRAWN BY
CHECKED BY
APPROVED BY

TITLE
UAS-100 FLUSH BOTTOM
WITH QUAD-FINIALS
COMMERCIAL

SIZE DRG NO.

C UAS-100 FLUSH BOTTOM COMMERCIAL QUAD-FINIAL 6X6

SCALE 1:1

SHEET 1 OF 1