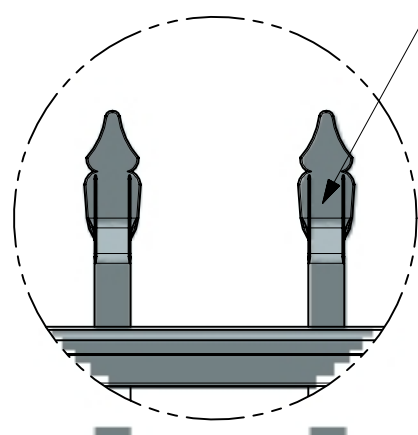
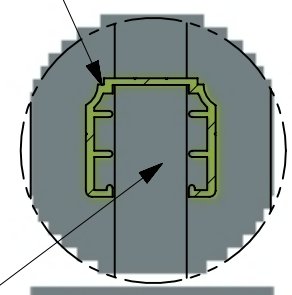


DETAIL B
SCALE 1:2



DETAIL A
SCALE 1:4

1.375X1.25
COMMERCIAL RAIL



3/4" X 3/4" X .055 WALL
COMMERCIAL PICKET

DETAIL C
SCALE 1:2

SECTION D-D

POST OPTIONS
 2" X 2" X .080" WALL
 2" X 2" X .125" WALL
 2 1/2" X 2 1/2" X .100" WALL
 3" X 3" X .125" WALL

72.000
OVERALL
HEIGHT

60.25"
(A)

6.000

4.500
6.000

3 5/8" NOMINAL

OPTIONAL 4TH RAIL

FINISHED GRADE

2.000

73.000

CENTER TO CENTER
AS SHOWN WITH
2 1/2" X 2 1/2" POST

HEIGHT	A
3'	24 1/4"
3 1/2'	30 1/4"
4'	36 1/4"
4 1/2'	42 1/4"
5'	48 1/4"
6'	60 1/4"

3D CAD MASTER PART NAME:

ALL DIMENSIONS IN INCHES



ULTRA ALUMINUM MANUFACTURING, INC.
2124 GRAND COMMERCE DR. HOWELL, MI 48855
PHONE (800) 656-4420 FAX (800) 646-7429

FIRST ISSUED

TITLE

DRAWN BY

UAS-100 FLUSH BOTTOM
WITH SPEAR
COMMERCIAL

CHECKED BY

APPROVED BY

SIZE DRG NO.

C UAS-100 FLUSH BOTTOM COMMERCIAL SPEAR TOP 6X6

REV

SCALE 1:1

SHEET 1 OF 1