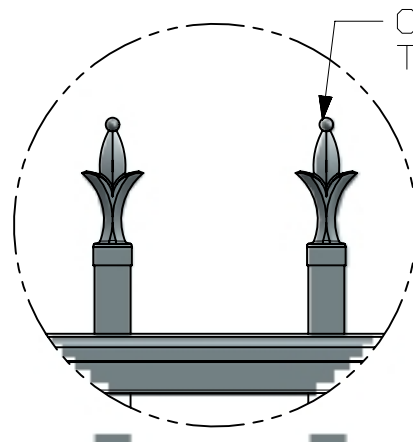
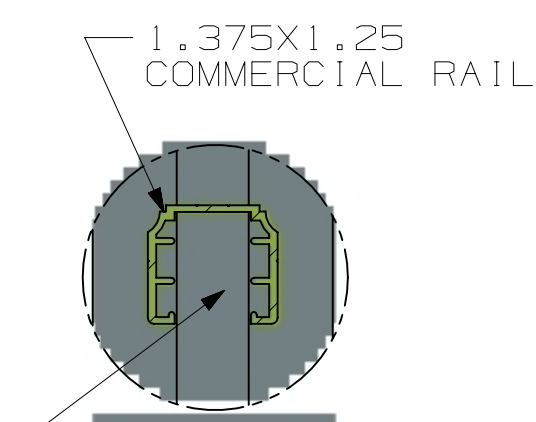


DETAIL B
SCALE 1:2



DETAIL A
SCALE 1:4



DETAIL C
SCALE 1:2

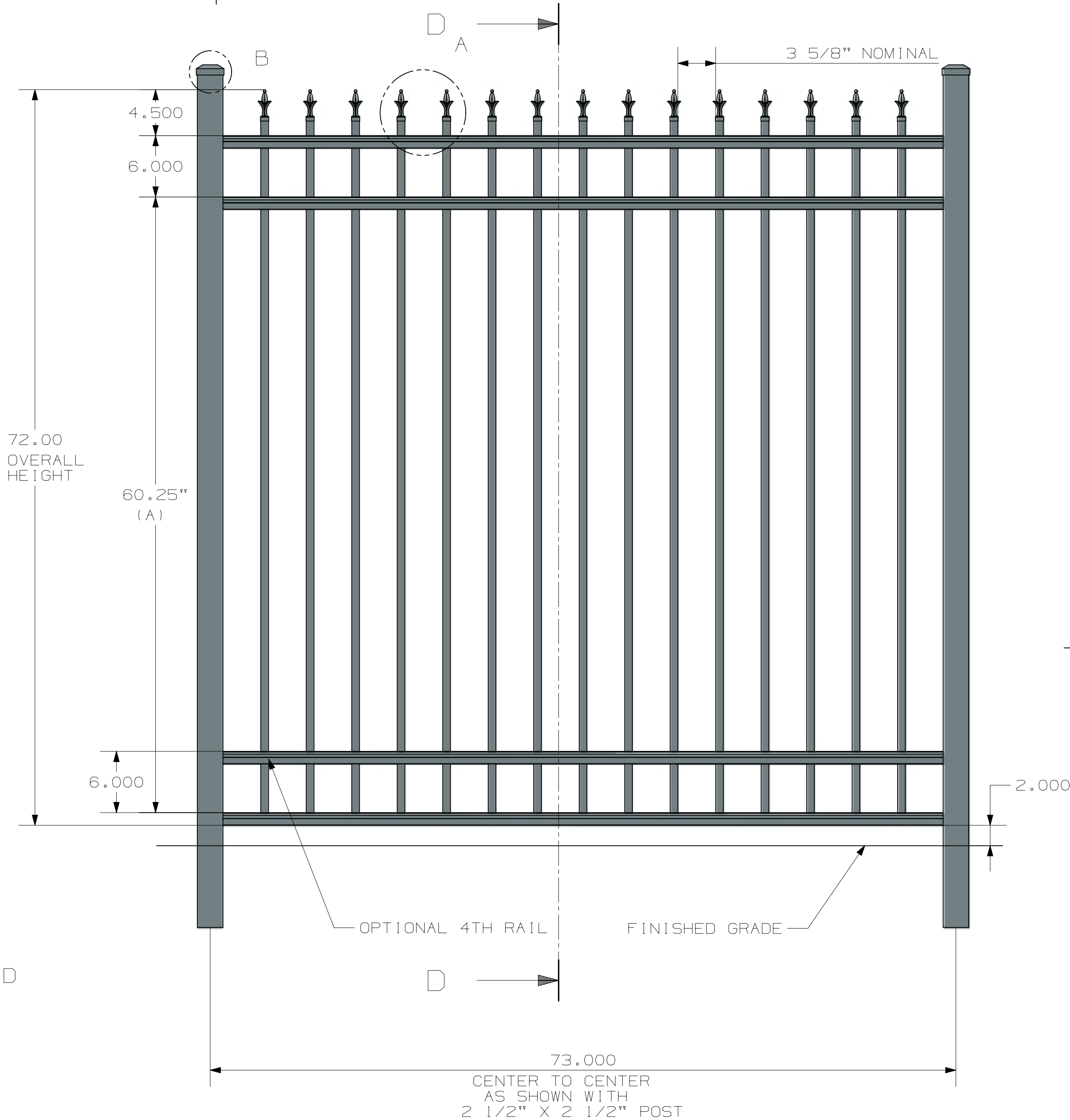
- POST OPTIONS
- 2" X 2" X .080" WALL
 - 2" X 2" X .125" WALL
 - 2 1/2" X 2 1/2" X .100" WALL
 - 3" X 3" X .125" WALL

HEIGHT	A
3'	24 1/4"
3 1/2'	30 1/4"
4'	36 1/4"
4 1/2'	42 1/4"
5'	48 1/4"
6'	60 1/4"

3D CAD MASTER PART NAME:



SECTION D-D



ALL DIMENSIONS IN INCHES



ULTRA ALUMINUM MANUFACTURING, INC.
2124 GRAND COMMERCE DR. HOWELL, MI 48855
PHONE (800) 656-4420 FAX (800) 646-7429

FIRST ISSUED	
DRAWN BY	
CHECKED BY	
APPROVED BY	

TITLE	UAS-100 FLUSH BOTTOM WITH TRI-FINIALS COMMERCIAL	
SIZE	DRG NO.	REV
C	UAS-100 FLUSH BOTTOM COMMERCIAL TRI-FINIAL 6X6	1
SCALE 1:1	SHEET 1 OF 1	