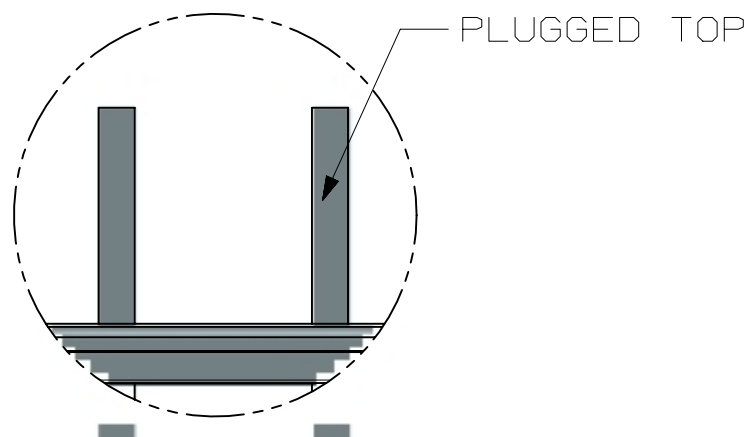
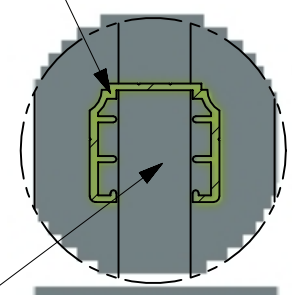


DETAIL B
SCALE 1:2



DETAIL A
SCALE 1:4

1.375X1.25
COMMERCIAL RAIL



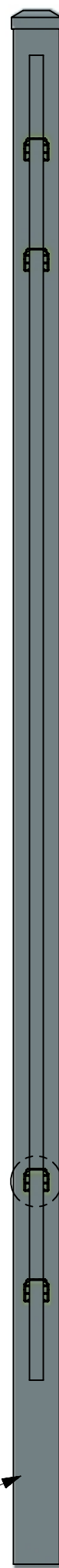
3/4" X 3/4" X .055 WALL
COMMERCIAL PICKET

DETAIL C
SCALE 1:2

POST OPTIONS

- 2" X 2" X .080" WALL
- 2" X 2" X .125" WALL
- 2 1/2" X 2 1/2" X .100" WALL
- 3" X 3" X .125" WALL

SECTION D-D



72.000
OVERALL
HEIGHT

4.500
6.000

56"
(A)

6.000
5.500

2.000

OPTIONAL 4TH RAIL

FINISHED GRADE

73.000

CENTER TO CENTER
AS SHOWN WITH
2 1/2" X 2 1/2" POST

3 5/8" NOMINAL

HEIGHT	A
3'	20"
3 1/2'	26"
4'	32"
4 1/2'	38"
5'	44"
6'	56"

3D CAD MASTER PART NAME:

ALL DIMENSIONS IN INCHES



ULTRA ALUMINUM MANUFACTURING, INC.
2124 GRAND COMMERCE DR. HOWELL, MI 48855
PHONE (800) 656-4420 FAX (800) 646-7429

FIRST ISSUED
DRAWN BY
CHECKED BY
APPROVED BY

TITLE
UAS-100 STD BOTTOM
WITH PLUGGED TOP
COMMERCIAL

SCALE 1:1

SIZE DRG NO. C
UAS-100 STD BOTTOM COMMERCIAL PLUGGED TOP 6X6

REV

SHEET 1 OF 1