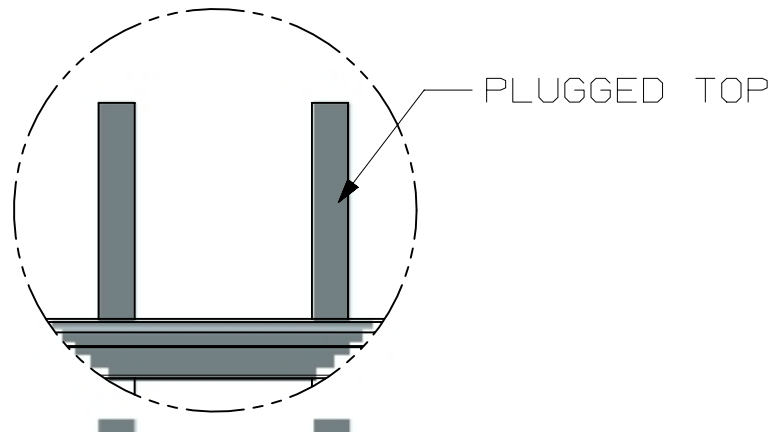
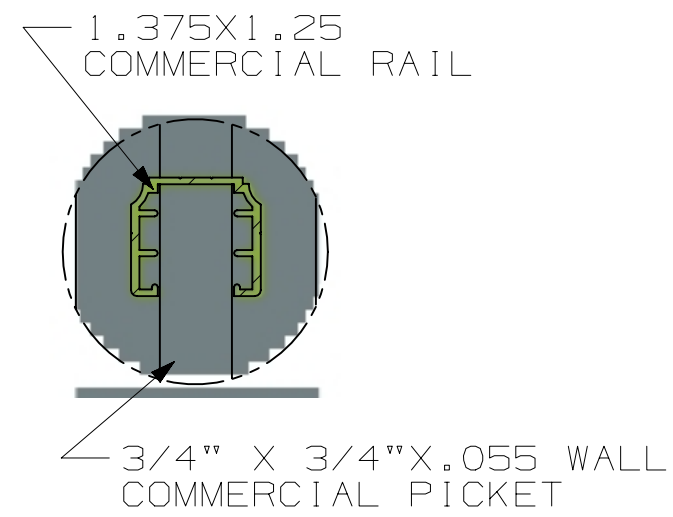


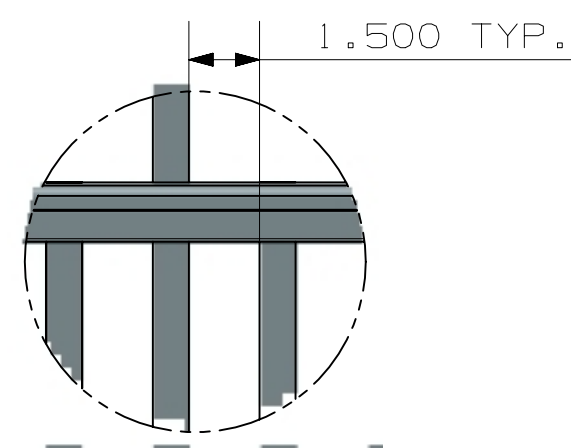
DETAIL B  
SCALE 1:2



DETAIL A  
SCALE 1:4



DETAIL C  
SCALE 1:2



DETAIL E  
SCALE 1:4

- POST OPTIONS
- 2" X 2" X .080" WALL
  - 2" X 2" X .125" WALL
  - 2 1/2" X 2 1/2" X .100" WALL
  - 3" X 3" X .125" WALL

HEIGHT	A
3'	9 1/2"
3 1/2'	15 1/2"
4'	21 1/2"
4 1/2'	27 1/2"
5'	33 1/2"
6'	45 1/2"

3D CAD MASTER PART NAME:



SECTION D-D

72.000  
OVERALL  
HEIGHT

4.500  
6.000

45.5"  
(A)

10.500  
5.500

16" COMMERCIAL  
PLUG TOP SHORT PICKET

FINISHED GRADE

16.000  
2.000

CENTER TO CENTER  
AS SHOWN WITH  
2 1/2" X 2 1/2" POST

73.000

3 5/8" NOMINAL

ALL DIMENSIONS IN INCHES



ULTRA ALUMINUM MANUFACTURING, INC.  
2124 GRAND COMMERCE DR. HOWELL, MI 48855  
PHONE (800) 656-4420 FAX (800) 646-7429

FIRST ISSUED  
DRAWN BY  
CHECKED BY  
APPROVED BY

TITLE  
UAS-100 STD BOTTOM  
WITH PLUGGED TOP  
WITH FLAT TOP 16" SHORT PICKET  
COMMERCIAL

SCALE 1:1

SIZE DRG NO. C  
UAS-100 STD BOTTOM COMMERCIAL PLUGGED TOP W FLAT TOP SHORT PICKET 6X8  
REV  
SHEET 1 OF 1