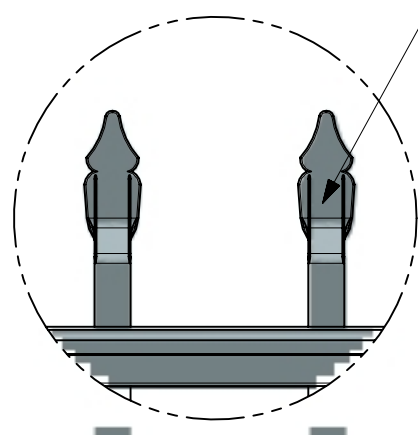
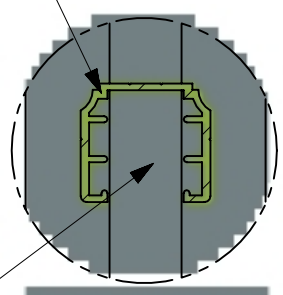


DETAIL B  
SCALE 1:2



DETAIL A  
SCALE 1:4

1.375X1.25  
COMMERCIAL RAIL



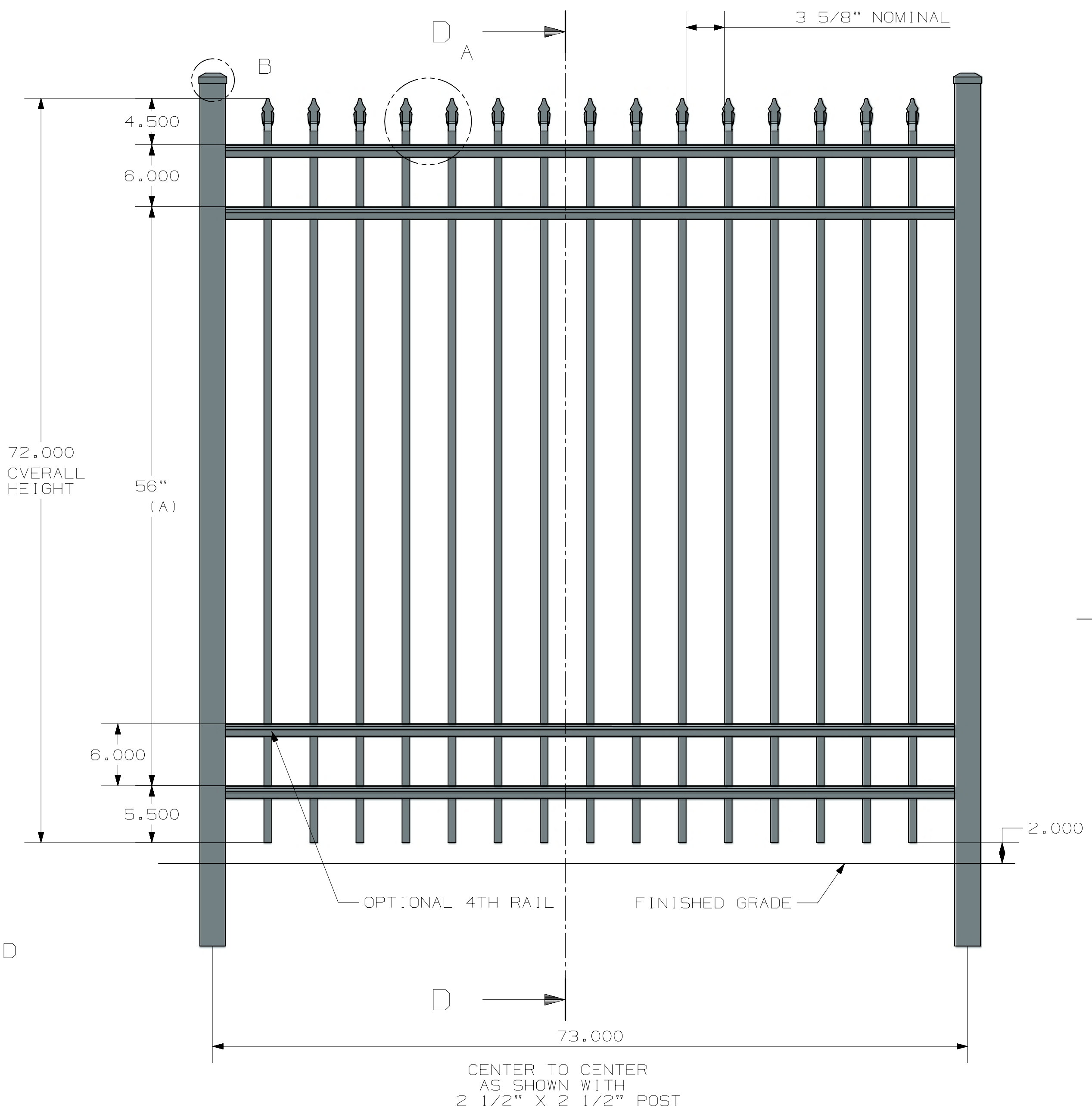
3/4" X 3/4" X .055 WALL  
COMMERCIAL PICKET

DETAIL C  
SCALE 1:2

POST OPTIONS

- 2" X 2" X .080" WALL
- 2" X 2" X .125" WALL
- 2 1/2" X 2 1/2" X .100" WALL
- 3" X 3" X .125" WALL

SECTION D-D



HEIGHT	A
3'	20"
3 1/2'	26"
4'	32"
4 1/2'	38"
5'	44"
6'	56"

3D CAD MASTER PART NAME:

ALL DIMENSIONS IN INCHES



ULTRA ALUMINUM MANUFACTURING, INC.  
2124 GRAND COMMERCE DR. HOWELL, MI 48855  
PHONE (800) 656-4420 FAX (800) 646-7429

FIRST ISSUED	
DRAWN BY	
CHECKED BY	
APPROVED BY	

TITLE	UAS-100 STD BOTTOM WITH SPEAR COMMERCIAL	
SIZE	DRG NO.	REV
C	UAS-100 STD BOTTOM COMMERCIAL SPEAR top 6X6	1
SCALE 1:1	SHEET 1 OF 1	