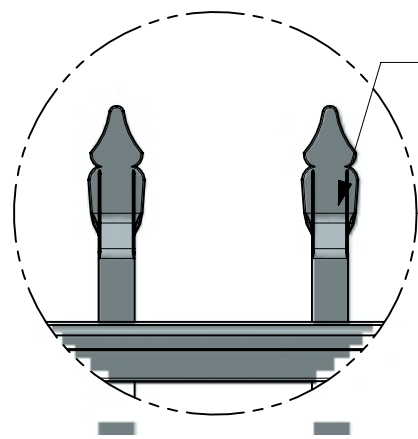
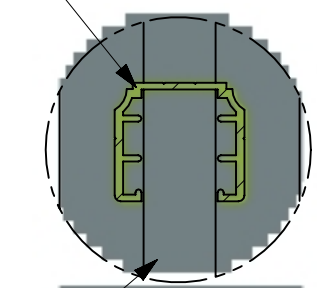


DETAIL B
SCALE 1:2



DETAIL A
SCALE 1:4

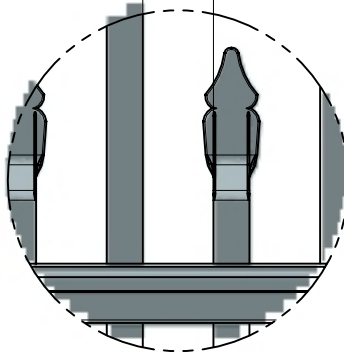
1.375X1.25
COMMERCIAL RAIL



3/4" X 3/4" X .055 WALL
COMMERCIAL PICKET

DETAIL C
SCALE 1:2

1.500 TYP.

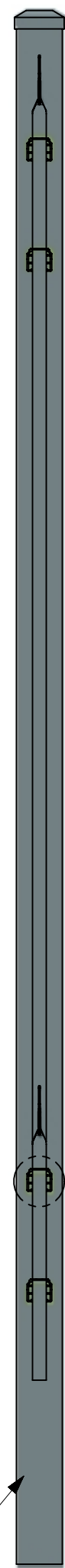


DETAIL E
SCALE 1:4

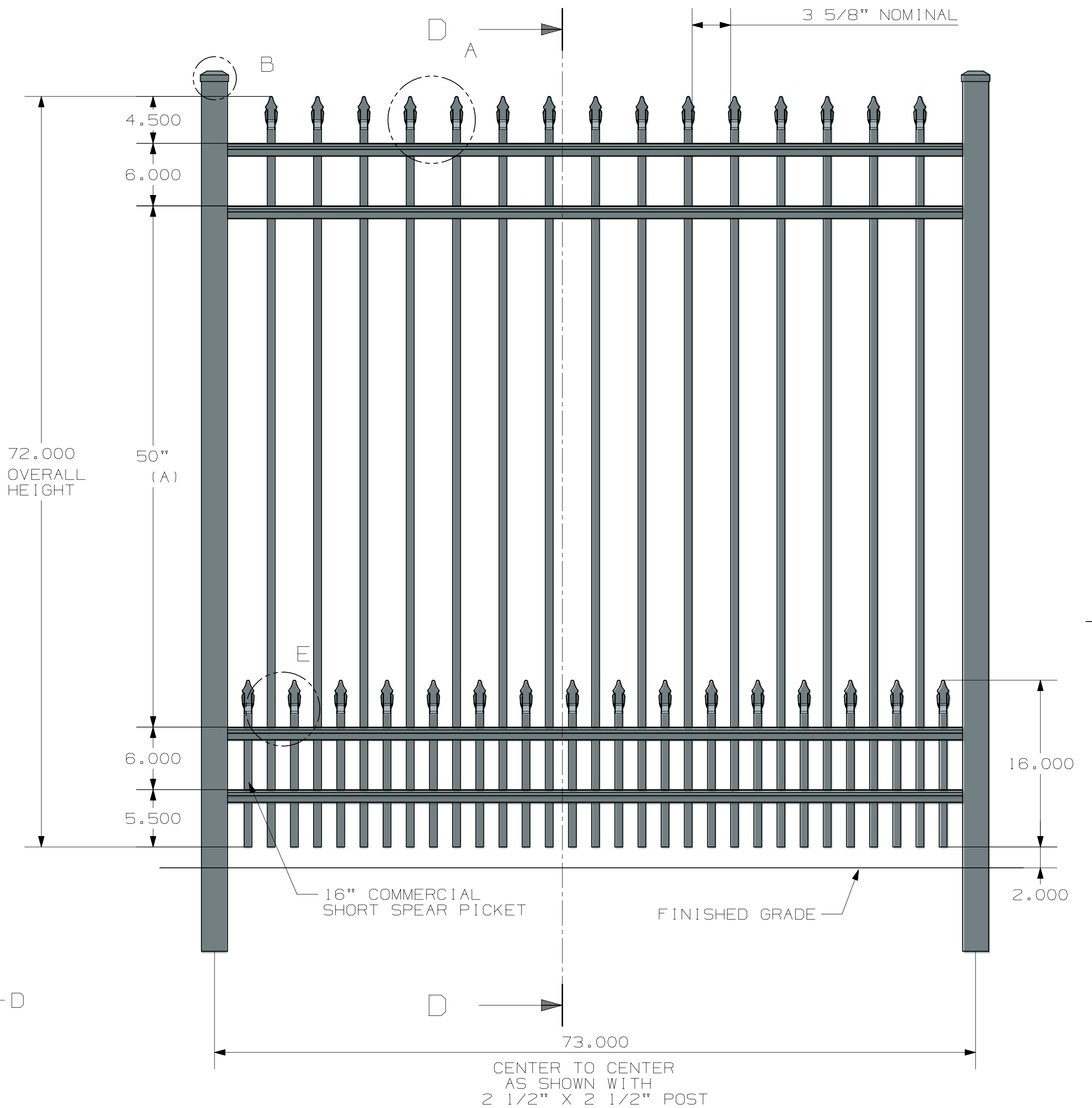
POST OPTIONS
 2" X 2" X .080" WALL
 2" X 2" X .125" WALL
 2 1/2" X 2 1/2" X .100" WALL
 3" X 3" X .125" WALL

HEIGHT	A
3'	14"
3 1/2'	20"
4'	26"
4 1/2'	32"
5'	38"
6'	50"

3D CAD MASTER PART NAME:



SECTION D-D



ULTRA ALUMINUM MANUFACTURING, INC.
 2124 GRAND COMMERCE DR. HOWELL, MI 48855
 PHONE (800) 656-4420 FAX (800) 646-7429

FIRST ISSUED
 DRAWN BY
 CHECKED BY
 APPROVED BY

TITLE
 UAS-100 STD BOTTOM WITH SPEAR TOP WITH 16" SPEAR TOP COMMERCIAL

SCALE 1:1

SIZE DRG NO. C
 UAS-100 STD BOTTOM COMMERCIAL SPEAR TOP W SHORT SPEAR PICKET 6X6
 REV

ALL DIMENSIONS IN INCHES

SHEET 1 OF 1